

No:91040360

1 Geräteliste

Teil	Beschreibung	Sachnummer	Position	Teil	Beschreibung	Sachnummer	Position
A1	Steuerung Arbeiten Master controller working master	97168173	11.3D, 9.1C, 9.5D, 10.1C, 10.4D, 11.1C, 12.8D, 12.9E, 14.5A, 14.5A, 16.2A, 16.3A, 19.2A, 19.4A, 20.5A, 20.6A, 21.3A, 21.3A	E12	Arbeitsscheinwerfer hinten working headlight rear	92080324	16.2G
A2	Steuerung Anzeige controller display	97160949	20.2A, 8.1C, 8.5D, 14.6A, 14.7A, 20.2A	E14	BlueSpot Lenkturm LED bluespot steering unit LED	97162085	16.7F
A4	Steuerung Fahren Front 36V/250A drive controller front 36V/250A	92042746	14.5D, 14.1D	E15	BlueSpot hinten LED bluespot rear LED	97162085	16.6F
A5	Steuerung Fahren Heck 36V/250A drive controller rear 36V/250A	92042753	15.3D, 15.1C	E16	Blue Spot am Halter LED blue spot at holder LED	97162085	16.8F
A6	Steuerung Arbeiten Slave controller working slave	97168173	20.6A, 9.7C, 9.8D, 10.7C, 10.8D, 11.4C, 11.5D, 12.1D, 12.4E, 13.1D, 13.5D, 16.6A, 16.7A, 17.6A, 17.7A, 20.7A, 21.5A, 21.5A	E17	BlueSpot FSD LED bluespot overhead cover LED	97162085	16.9F
A9	Steuerung Lenken controller steering	97152623	21.2E, 21.1D	E18	Abblendscheinwerfer links LED driving light left LED	92053073	18.2F
A10	Steuerung Chemiepumpe controller chemical pump	97148605	20.3E, 20.3D	E19	Abblendscheinwerfer rechts LED driving light right LED	92053073	18.8F
A20	Fleetrekorder fleetrecorder	92058015	19.2D, 19.1D	E21	Blitzleuchte am Stab flashlight at bar	97084222	16.5F
B3	Fahrgeber accelerator	97131882	14.2F	E22	Positionsleuchte links vorne position light front left	97155436	18.3F
B4	Drucksensor Frischwassertank pressure sensor fresh water tank	92013481	9.7A	E23	Positionsleuchte rechts vorne position light front right	97155436	18.8F
B5	Drucksensor Schmutzwassertank pressure sensor dirty water tank	92013481	9.8A	E24	Laser 10-30V	92096684	20.8E
B18	Durchflussmengenmesser flow meter	90596529	9.5A	F1	Sicherung Schlüsselschalter 7,5A fuse keyswitch 7,5A	19731587	6.5E, 6.2D
B20	I-Button reader I-Button reader	97131429	19.3D, 19.3D	F2	Sicherung Steuerung A1 125A fuse controller A1 125A	19731140	6.2D, 6.2D
B27	Kamera camera	92701325	21.6D	F3	Sicherung Fahren 355A fuse drive 355A	19731372	6.1D, 6.1D, 6.1D
B27	Kamera camera	92091594	21.8F	F8	Sicherung Steuerung A6 125A fuse Steuerung A6 125A	19731140	6.2D, 6.3D
C1	Entstörkondensator 220nF suppressor capacitor 220nF	90288879	8.4F	F9	Sicherung Lenken 30A fuse steering 30A	19731595	6.3D, 6.4D
E1	Arbeitsscheinwerfer links working headlight left	92080324	16.1D	F10	Sicherung Hochdruckreiniger 80A fuse high-pressure cleaner 80A	19731520	6.4D, 6.4D
E2	Blitzleuchte Fahrerschutzdach flashlight overhead cover	97084222	16.4F	F11	Sicherung StVZO 15A fuse road traffic act 15A	19731207	6.7E
E5	Mehrkammerleuchte hinten links combination light rear left	92042811	18.4E	F19	Sicherung Hupe / Fleet 5A fuse horn / fleet 5A	19731272	6.6E
E6	Mehrkammerleuchte hinten rechts combination light rear right	92042811	18.6E	F20	Sicherung Anzeige 5A fuse display 5A	19731272	6.6E
E7	Blinker vorne links indicator front left	92073865	18.1F	F30	Sicherung Positionsleuchte li 5A fuse position light left 5A	19731181	18.3B
E8	Blinker vorne rechts indicator front right	92073865	18.6F	F31	Sicherung Positionsleuchte re 5A fuse position light right 5A	19731181	18.4B
E9	Blinker links seitlich indicator side left	92073865	18.2F	F32	Sicherung Abblendlicht 5A fuse low-beam headlights 5A	19731181	18.2B
E10	Blinker rechts seitlich indicator side right	92073865	18.7F	F33	Sicherung Bremslicht 5A fuse brake light 5A	19731181	17.6B
E11	Arbeitsscheinwerfer rechts working headlight right	92080324	16.2D	F34	Sicherung Rückfahrlicht 5A fuse backup light 5A	19731181	17.6B
				F35	Sicherung Blinkgeber 5A fuse flasher unit 5A	19731181	17.5B
				G1	Batterie 36V 320A 810Ah battery 36V 320A 810Ah	92016385	6.2A
				G1	Batterie 36V 320A 540Ah battery 36V 320A 540Ah	92015270	6.4A
				H1	Hupe 335Hz horn 335Hz	90194911	8.4F
				K1	Hauptschütz 36V main contactor 36V	92004282	6.3F, 6.2F, 6.2F, 6.2F, 6.2F, 6.3F
				K2	Relais Fahrsteuerung Front relay drive controller front	92027176	14.1B
				K3	Relais Fahrsteuerung Heck relay drive controller rear	92027176	15.1B
				K8	Umpolungsrelais 36V turn-over relay 36V	90522533	13.6F

Freigabevermerk:

3

/

4315-77

05.07.2021

Ri

Drawn 30.03.2021

Verified

28.09.2021

Name

B400 R

Name

Schaltplan B400 R / circuit diagram B400 R

Replacement for

3050-27

For this drawing we reserve all rights (acc. DIN ISO 16016)



Hako GmbH
D-23840 Bad Oldesloe

Drawing Number

91040360

A2

No. of Sh. 27

Sheet 1

No:91040360

1 Geräteliste

Teil	Beschreibung	Sachnummer	Position	Teil	Beschreibung	Sachnummer	Position
K20	Blinkgeber flasher unit	92076470	17.7F	M27	Hubelement Behälter drehen 24V actuator container move 24V	92037274	13.5F
K29	Relais Pumpe HDR relays high pressure pump	90267949	19.5E	M29	Hochdruckpumpe high pressure pump	92048305	19.6G
K31A	Micro-Relais 24V micro-relay 24V	90567777	17.2D	P2	Signalgeber buzzer	90324260	9.4E
K31B	Micro-Relais 24V micro-relay 24V	90567777	17.8E	P27	Monitor display	90850876	21.6D
M1	Fahrmotor Front drive motor front	97151526	14.5G	P27	Monitor display	97171128	21.7G
M2	Fahrmotor Heck drive motor rear	92030733	15.5G	R20	Lenkwinkelpotentiometer 5kΩ steer angle potentiometer 5kΩ	92017995	15.2F
M3	Tellerbürstenmotor links TB1230 plate brush motor left TB1230	90577248	10.2G	R29	Widerstand R1k resistor R1k	19245018	19.8D
M3	Tellerbürstenmotor links TB1520 plate brush motor left TB1520	92012830	11.2G	R102	Widerstand 2,7kΩ resistor 2,7kΩ	19245258	19.4C
M4	Tellerbürstenmotor rechts TB1230 plate brush motor right TB1230	90577248	10.4G	S1	Schlüsselschalter key switch	90323437	7.2C
M4	Tellerbürstenmotor rechts TB1520 plate brush motor right TB1520	92012830	11.3G	S2	Schalter Bremse entriegelt switch brake released	97157512	15.4F
M5	Tellerbürstenmotor mitte TB1230 plate brush motor middle TB1230	90577248	10.5G	S5	Sitzschalter seat switch	90690694	9.5A
M5	Tellerbürstenmotor mitte TB1520 plate brush motor middle TB1520	92012830	11.4G	S6	Warnblinkschalter 12V hazard warning switches 12V	19255546	17.3E
M6	Hydraulikmotor 36V hydraulic motor 36V	97162549	13.8F	S11	Schlitzschalter Behälter 30° switch container position 30°	97157512	13.2G
M7	Wasserrecyclingpumpe water recycling pump	97166722	20.5E	S12	Schlitzschalter Behälter unten switch container lowered	97157512	13.3G
M8	Wasserpumpe Water pump	97166722	9.5G	S13	Schlitzschalter Behälter zu switch container closed	97157512	13.3G
M9	Hubelement Bürstendeck 24V actuator brush deck 24V	92023332	10.2B	S15	Fussbremstaster foot brake switch	90472176	14.4F
M10	Hubelement Saugfuß actuator squeegee	92005727	10.4B	S20	Lenkstockschalter Stalk switch	97164750	17.6E
M13	Hubelement Kehrwalze actuator sweeping broom	92023332	12.6A	S21	Schalter Bremse lösen release brake switch	90285768	14.9E
M13	Hubelement Kehrwalze actuator sweeping broom	92023332	13.6A	S29	Taster HDR EIN switch HDR on	97100986	19.7F
M16	Saugmotor 36V suction motor 36V	97142475	10.6B	S30	Kalibriertaster calibration switch	90676354	21.2B
M17	Saugmotor 36V suction motor 36V	97142475	10.7B	T1	DC/DC Wandler 18-54V - 12,5V DC/DC converter 18-54V - 12,5V	92076488	17.2F
M19	Motor Seitenbesen rechts motor side broom right	92019017	12.4A	V1	Diode 1A diode 1A	90194879	8.3F
M19	Motor Seitenbesen rechts motor side broom right	92019017	13.3A	V2	Freilaufdiode 1A free-wheeling diode 1A	90194879	14.8G
M20	Motor Seitenbesen links motor side broom left	92014455	12.5A	W62	Monitorkabel 0,80m cable monitor 0,80m	92097823	21.6G
M20	Motor Seitenbesen links motor side broom left	92014455	13.4A	W63	Kamerakabel-6pol. 3m cable camera 6pol. 3m	92097781	21.8F
M21	Motor Kehrwalze motor sweeping broom	92022524	12.2A	X43	Massebolzen M10 Ground point M10	19789353	7.10F, 7.8E, 7.8F, 7.8F, 7.9E, 7.9E, 7.9F, 7.9F, 7.10F
M21	Motor Kehrwalze 36V 600W motor sweeping broom 36V 600W	92022524	13.2A	X97	USB 4-pol. Amphenol USB 4-pol. Amphenol	92005412	9.2G
M24	Rüttelmotor 36V vibration motor 36V	92072560	12.8A	Y1	Wasserventil water valve	90435595	9.6E
M24	Rüttelmotor 36V vibration motor 36V	92072560	13.7A	Y3	Ventil Wasserrecycling valve waterrecycling	90435595	20.6E
M25	Saugmotor 36V suction motor 36V	92072560	12.8A				
M25	Saugmotor 36V suction motor 36V	92072560	13.8A				
M26	Lenkmotor steering motor	92036631	21.3F				

Freigabevermerk:

3

*/

4315-77

05.07.2021

Ri

Drawn 30.03.2021

Verified

28.09.2021

B400 R

Name

Schaltplan B400 R / circuit diagram B400 R

Replacement for

3050-27

For this drawing we reserve all rights (acc. DIN ISO 16016)

Engineering Base 6.9.1



Drawing Number

91040360

A2


Hako GmbH

D-23840 Bad Oldesloe

No. of Sh. 27

Sheet 2

1		2		3		4		5		6		7		8		9		10		11	
No: 91040360		3 Pin-Splice																			
Name	Position	Name	Position	Name	Position	Name	Position	Name	Position	Name	Position	Name	Position	Name	Position	Name	Position	Name	Position	Name	Position
A1/X1/1	10.1C	A1/X13/5		A1/X16/3	21.3B	A2/X105/5	8.4C	A4/B+/1	14.1D	A5/M3/1	15.5E	A6/X13/2	21.5B	A6/X15/24	13.2E	A20/3	19.2E	E6/4	18.6E		
A1/X2/1	10.1D	A1/X13/6		A1/X16/4		A2/X105/6		A4/B-/1	14.1E	A6/X1/1	10.7C	A6/X13/3	20.8B	A6/X16/1	12.1D	A20/4	19.2D	E6/5	18.6E		
A1/X3/1	10.3D	A1/X13/7	10.3C	A1/X16/5		A2/X105/7		A4/M1/1	14.5E	A6/X2/1	10.8D	A6/X13/4	21.6B	A6/X16/2		A20/5		E6/6	18.7E		
A1/X3/2	11.2D	A1/X13/8	9.4D	A1/X16/6		A2/X105/8		A4/M2/1	14.6E	A6/X3/1	10.7D	A6/X13/5		A6/X16/3		A20/6	19.1E	E7/1	18.1F		
A1/X4/1	10.2D	A1/X13/9	19.7B	A1/X16/7	21.4B	A2/X106/1	8.5E	A4/M3/1	14.6E	A6/X3/2	11.4D	A6/X13/6	21.6B	A6/X16/4		A20/7	19.2D	E7/2	18.1G		
A1/X4/2	11.2D	A1/X13/10	14.6B	A1/X16/8		A2/X109/1	14.6B	A5/A/1		A6/X4/1	10.7D	A6/X13/7	12.6D	A6/X16/5	12.1E	A20/8		E8/1	18.6F		
A1/X5/1	10.4D	A1/X13/11	14.5B	A1/X18/1	9.2C	A2/X109/2	14.7B	A5/A/2		A6/X4/2	11.5D	A6/X13/8	21.5B	A6/X16/6		A20/9	19.2D	E8/2	18.6G		
A1/X5/2	11.3D	A1/X13/12		A1/X18/2	9.3C	A2/X109/3	14.7B	A5/A/3		A6/X5/1	12.2D	A6/X13/9	20.8B	A6/X16/7		A20/10		E9/1	18.2F		
A1/X6/1	10.4D	A1/X14/1	9.1C	A1/X18/3	9.3C	A2/X109/4	14.7B	A5/A/4	15.5C	A6/X5/2	13.2D	A6/X13/10	17.8B	A6/X16/8		B3/1	14.2F	E9/2	18.2G		
A1/X6/2	11.3D	A1/X14/2	9.2C	A1/X18/4		A4/A/1	14.7D	A5/A/5		A6/X6/1	12.2D	A6/X13/11	17.8B	A6/X18/1	12.1D	B3/2	14.2F	E10/1	18.7F		
A1/X7/1	10.5C	A1/X14/3	9.2D	A1/X18/5	9.2C	A4/A/2	14.7D	A5/A/6	15.4E	A6/X6/2	13.1D	A6/X13/12		A6/X18/2		B3/3	14.2F	E10/2	18.7G		
A1/X8/1	10.6C	A1/X14/4	9.2D	A1/X18/6		A4/A/3	14.3E	A5/A/7		A6/X7/1	13.7E	A6/X14/1	12.1D	A6/X18/3		B3/4	14.2F	E11/1	16.2D		
A1/X9/1	10.6C	A1/X14/5	9.6C	A1/X18/7	9.3C	A4/A/4	14.5D	A5/A/8	15.2E	A6/X8/1	13.7E	A6/X14/2		A6/X18/4		B3/5	14.2F	E11/2	16.2E		
A1/X10/1	10.7C	A1/X14/6	9.1D	A1/X18/8		A4/A/5		A5/A/9		A6/X9/1	12.4D	A6/X14/3		A6/X18/5	12.2D	B3/6	14.2F	E12/1	16.2G		
A1/X11/1	10.2C	A1/X14/7		A1/X20/1		A4/A/6	14.5E	A5/A/10	15.3E	A6/X9/2	13.3D	A6/X14/4		A6/X18/6		B4/1	9.7A	E12/2	16.2G		
A1/X11/2	10.4C	A1/X14/8	9.2D	A1/X20/2	19.2B	A4/A/7	14.4E	A5/A/11	15.5C	A6/X10/1	12.3D	A6/X14/5	9.8C	A6/X18/7		B4/2	9.7A	E14/1	16.7F		
A1/X11/3	12.8D	A1/X14/9	9.2D	A1/X20/3		A4/A/8	14.2E	A5/A/12	15.2E	A6/X10/2	13.3D	A6/X14/6	12.1E	A6/X18/8		B4/3	9.7B	E14/2	16.7G		
A1/X11/4	10.2C	A1/X14/10		A1/X20/4	19.2B	A4/A/9	14.3E	A5/A/13	15.5C	A6/X11/1	12.6D	A6/X14/7		A6/X22/1	9.8D	B4/4	9.7B	E15/1	16.6F		
A1/X11/5	10.5C	A1/X15/1		A1/X20/5	19.2B	A4/A/10		A5/A/14	15.2C	A6/X11/2	13.5E	A6/X14/8		A9/J1/1	21.3E	B5/1	9.8A	E15/2	16.6G		
A1/X11/6	12.9D	A1/X15/2		A1/X20/6		A4/A/11		A5/A/15	15.2C	A6/X11/3	12.8D	A6/X14/9		A9/J1/2	21.3E	B5/2	9.8A	E16/1	16.8F		
A1/X12/1	9.5D	A1/X15/3	9.7C	A1/X22/1	9.7D	A4/A/12		A5/A/16	15.6E	A6/X11/4	12.6D	A6/X14/10		A9/J1/3	21.3E	B5/3	9.8B	E16/2	16.8G		
A1/X12/2		A1/X15/4	9.6C	A2/VGND	8.6E	A4/A/13	14.2D	A5/A/17		A6/X11/5	13.5E	A6/X15/1		A9/J1/4	21.3E	B5/4	9.8B	E17/1	16.9F		
A1/X12/3	9.3D	A1/X15/5	10.3C	A2/X101/1	8.1C	A4/A/14	14.2D	A5/A/18		A6/X11/6	12.8D	A6/X15/2		A9/J1/5		B18/1	9.6A	E17/2	16.9G		
A1/X12/4	16.4B	A1/X15/6	9.4C	A2/X101/2	8.2C	A4/A/15	14.1D	A5/A/19		A6/X12/1	20.7B	A6/X15/3	9.9C	A9/J1/6		B18/2	9.5A	E18/A	18.2G		
A1/X12/5	16.2B	A1/X15/7	9.4C	A2/X101/3		A4/A/16	14.6E	A5/A/20		A6/X12/2		A6/X15/4	10.8D	A9/J1/7		B18/3	9.6A	E18/B	18.2F		
A1/X12/6	9.6D	A1/X15/8		A2/X101/4	8.2C	A4/A/17	14.3D	A5/A/21	15.4C	A6/X12/3		A6/X15/5	12.7D	A9/J1/8		B20/1	19.3D	E19/A	18.8G		
A1/X12/7	20.5B	A1/X15/9	19.6B	A2/X101/5	8.3C	A4/A/18		A5/A/22	15.4C	A6/X12/4	16.7B	A6/X15/6	17.7B	A9/J1/9		B20/2	19.4D	E19/B	18.8F		
A1/X12/8	19.6B	A1/X15/10	19.7B	A2/X101/6	8.3C	A4/A/19		A5/A/23		A6/X12/5	13.6E	A6/X15/7		A9/J1/10	21.3D	B20/3	19.3E	E21/1	16.5F		
A1/X12/9		A1/X15/11	10.5D	A2/X101/7	8.1E	A4/A/20		A5/A/24		A6/X12/6	17.7B	A6/X15/8	12.5D	A9/J1/11		B20/4	19.4E	E21/2	16.5G		
A1/X12/10	16.6B	A1/X15/12	10.5D	A2/X101/8		A4/A/21	14.3D	A5/A/25		A6/X12/7	17.7B	A6/X15/9	12.5D	A9/J1/12	21.2D	C1/1	8.4F	E22/1	18.3F		
A1/X12/11	9.5D	A1/X15/13		A2/X104/1		A4/A/22	14.3D	A5/A/26		A6/X12/8		A6/X15/10	13.3E	A9/J1/13		C1/2	8.4F	E22/2	18.3G		
A1/X12/12		A1/X15/14		A2/X104/2		A4/A/23		A5/A/27	15.6E	A6/X12/9	13.6E	A6/X15/11	13.3E	A9/J1/14	21.2D	E1/1	16.1D	E23/1	18.8F		
A1/X12/13	9.3D	A1/X15/15	9.7C	A2/X104/3		A4/A/24	14.4D	A5/A/28	15.6E	A6/X12/10	16.8B	A6/X15/12	13.2E	A9/J1/15	21.3D	E1/2	16.1E	E23/2	18.8G		
A1/X12/14	16.4B	A1/X15/16	9.5C	A2/X104/4		A4/A/25	14.4D	A5/A/29	15.6E	A6/X12/11	20.7B	A6/X15/13		A9/J1/16		E2/1	16.4F	E24/1	20.8E		
A1/X12/15	16.2B	A1/X15/17		A2/X104/5	8.3E	A4/A/26		A5/A/30	15.6C	A6/X12/12		A6/X15/14		A9/J3/1	21.3E	E2/2	16.4G	E24/2			
A1/X12/16	9.6D	A1/X15/18	9.5C	A2/X104/6	20.3B	A4/A/27	14.6E	A5/A/31	15.7E	A6/X12/13		A6/X15/15	9.8C	A9/J3/2	21.2E	E5/1	18.4F	E24/3	20.8E		
A1/X12/17	20.6B	A1/X15/19	9.5C	A2/X104/7		A4/A/28	14.7E	A5/A/32		A6/X12/14	16.7B	A6/X15/16	10.8D	A9/J3/3	21.2E	E5/2	18.4E	E24/4			
A1/X12/18	19.6B	A1/X15/20		A2/X104/8	20.3B	A4/A/29	14.7E	A5/A/33		A6/X12/15	13.5E	A6/X15/17		A9/J3/4	21.2D	E5/3	18.5E	F1/1	6.5E		
A1/X12/19		A1/X15/21	19.6B	A2/X104/9		A4/A/30		A5/A/34	15.7E	A6/X12/16	17.7B	A6/X15/18	17.8B	A10/X1/1	20.3D	E5/4	18.4E	F1/2	6.5E		
A1/X12/20	16.6B	A1/X15/22	19.7B	A2/X104/10	8.3E	A4/A/31	14.7E	A5/A/35	15.7E	A6/X12/17	17.7B	A6/X15/19		A10/X1/2	20.3D	E5/5	18.4E	F2/1/1	6.2D		
A1/X13/1	10.3C	A1/X15/23	10.5D	A2/X105/1	8.3C	A4/A/32		A5/B+/1	15.1C	A6/X12/18		A6/X15/20	12.5D	A10/X1/3	20.4D	E5/6	18.5E	F2/2/1	6.2D		
A1/X13/2	9.4D	A1/X15/24	10.6D	A2/X105/2	8.4C	A4/A/33		A5/B-/1	15.1E	A6/X12/19	13.5E	A6/X15/21	12.5D	A10/X1/4	20.4D	E6/1	18.6E	F3/2/1	6.1D		
A1/X13/3	19.7B	A1/X16/1		A2/X105/3		A4/A/34	14.8E	A5/M1/1	15.5E	A6/X12/20	16.8B	A6/X15/22	13.4E	A20/1	19.1D	E6/2	18.6E	F3/2/2	6.1D		
A1/X13/4		A1/X16/2		A2/X105/4		A4/A/35	14.7E	A5/M2/1	15.5E	A6/X13/1	12.7D	A6/X15/23	13.3E	A20/2	19.2D	E6/3	18.7E	F8/2/1	6.3D		

Freigabevermerk:		3	*/*	4315-77	05.07.2021	Ri	Date	Name	B400 R	Name	Schaltplan B400 R / circuit diagram B400 R			 Hako GmbH D-23840 Bad Oldesloe		Drawing Number		A2
		No.	Number appears	Change No.	Date	Name	Printed	28.09.2021	3050-27	For this drawing we reserve all rights (acc. DIN ISO 16016)			Engineering Base 6.9.1		Type 7437	Dept. DS	No. of Sh. 27	Sheet 3

1		2		3		4		5		6		7		8		9		10		11		
No: 91040360		3 Pin-Splice																				
	Name	Position	Name	Position	Name	Position	Name	Position	Name	Position	Name	Position	Name	Position	Name	Position	Name	Position	Name	Position	Name	Position
A	F9/1/1	6.4D	K8/P/1	13.6G	M2/X1/4	15.6G	M13.1/2	12.6B	M25.1/2	12.8A	S6/10	17.4E	W3/XS1	6.6C	W76/XS41	18.2H	X20/BU/3	10.5E	X29/ST/6	12.8C		
	F9/2/1	6.4D	K8/RA/1/1	13.6F	M2/X2/1	15.7G	M13.1/3	12.6B	M25.2/1	13.8B	S6/17	17.4E	W3/XS2	6.5F	W77/XS40	18.7F	X20/BU/4	10.5E	X29/ST/6	13.7C		
	F10/2/1	6.4D	K8/RA/2/1	13.6G	M2/X2/2	15.7G	M13.1/4	12.6A	M25.2/2	13.8A	S6/18	17.4E	W3/XS3	6.6F	W77/XS42	18.7H	X20/BU/5	10.5E	X29/ST/7	12.8C		
	F11/1	6.7E	K20/1	17.8G	M2/X3/1	15.5G	M13.1/5	12.7B	M26/M+	21.3F	S11/1	13.2G	W3/XS4	7.1E	W79/BP01		X20/BU/6	10.6E	X29/ST/7	13.8C		
	F11/2	6.7E	K20/2	17.7G	M2/X3/2	15.6G	M13.1/6	12.7A	M26/M-	21.3G	S11/2	13.2G	W3/XS5	7.2E	W79/XS43	17.2C	X20/ST/1	10.5E	X29/ST/8	12.7C		
	F19/1	6.6E	K20/3	17.7G	M3.1/N	10.3G	M13.2/1	13.6A	M26/X1/1	21.3F	S11/3	13.2G	W3/XS6	7.8C	W79/XS44	17.2E	X20/ST/1	11.5E	X29/ST/8	13.7C		
B	F19/2	6.6E	K20/4	17.8F	M3.1/P	10.2G	M13.2/2	13.6B	M26/X1/2	21.3F	S12/1	13.3G	W3/XS7	21.5B	W79/XS45	17.4G	X20/ST/2	10.5E	X29/ST/9	12.7C		
	F20/1	6.6E	K20/5	17.7F	M3.1/S1/1	10.3G	M13.2/3	13.6B	M26/X1/3	21.3F	S12/2	13.3G	W3/XS8	8.3B	W79/XS46	17.5A	X20/ST/2	11.6E	X29/ST/9	13.6C		
	F20/2	6.6E	K20/6	17.7F	M3.1/S1/2	10.3G	M13.2/4	13.6A	M26/X1/4	21.3F	S12/3	13.3G	W3/XS9	8.5B	W79/XS47	18.3A	X20/ST/3	10.5E	X29/ST/10	12.5C		
	F30/1	18.3B	K20/7	17.7G	M3.2/N	11.2G	M13.2/5	13.6B	M26/X1/5		S13/1	13.3G	W3/XS10	8.6B	W79/XS49	18.3C	X20/ST/3	11.6E	X29/ST/10	13.5C		
	F30/2	18.3B	K20/8	17.8G	M3.2/P	11.2G	M13.2/6	13.6A	M26/X1/6		S13/2	13.4G	W3/XS11	8.4B	W79/XS50	18.2C	X20/ST/4	10.5E	X29/ST/11	12.5C		
	F31/1	18.4B	K20/9	17.7G	M3.2/S1/1	11.2G	M16/A	10.6B	M27/1	13.5F	S13/3	13.3G	W3/XS12	8.5B	W79/XS52	18.5C	X20/ST/4	11.6E	X29/ST/11	13.5C		
C	F31/2	18.4B	K29/A1/1	19.6E	M3.2/S1/2	11.3G	M16/B	10.6B	M27/2	13.4G	S15/B	14.4G	W3/XS13	8.6B	W79/XS53	18.6C	X20/ST/5	10.5E	X29/ST/12			
	F32/1	18.2B	K29/A2/1	19.6E	M4.1/N	10.4G	M17/A	10.7B	M29/N	19.6G	S15/P	14.4F	W3/XS15	9.3B	W79/XS54	18.5C	X20/ST/5	11.6E	X29/ST/12			
	F32/2	18.2B	K29/K1/1	19.5E	M4.1/P	10.4G	M17/B	10.7B	M29/P	19.6G	S20/X1/1	17.7F	W3/XS17	9.6B	W79/XS55		X20/ST/6	10.6E	X29/ST/13			
	F33/1	17.6B	K29/K2/1	19.5E	M4.1/S1/1	10.4G	M19.1/1	12.4A	M29/S1/1	19.6G	S20/X1/2	17.7E	W3/XS20	16.2D	W79/XS58	17.6D	X20/ST/6	11.6E	X29/ST/13			
	F33/2	17.6B	K31A/1	17.2D	M4.1/S1/2	10.4G	M19.1/2	12.4B	M29/S1/2	19.6G	S20/X1/3	17.7E	W3/XS21	16.2D	X1/ST/N	6.2B	X29/BU/1	12.5C	X29/ST/14	12.6C		
	F34/1	17.6B	K31A/2	17.2D	M4.2/N	11.3G	M19.1/3	12.4A	P2/1	9.4F	S20/X1/4		W3/XS22	19.1B	X1/ST/P	6.2B	X29/BU/2	12.5C	X29/ST/14	13.6C		
D	F34/2	17.6B	K31A/3	17.2D	M4.2/P	11.3G	M19.1/4	12.4B	P2/3+	9.4E	S20/X2/1	17.6E	W3/XS23	9.3B	X11/BU/1		X29/BU/3		X29/ST/15	12.8C		
	F35/1	17.5B	K31A/4	17.2D	M4.2/S1/1	11.4G	M19.2/1	13.3A	R20/1	15.2F	S20/X2/2	17.6E	W3/XS24	14.5C	X11/BU/2	15.4B	X29/BU/4		X29/ST/15	13.7C		
	F35/2	17.5B	K31A/5	17.2D	M4.2/S1/2	11.4G	M19.2/2	13.3B	R20/2	15.2F	S20/X2/3	17.6F	W3/XS26	14.3B	X11/BU/3	15.5B	X29/BU/5	12.6C	X29/ST/16	12.9C		
	H1/N	8.4G	K31B/1	17.9E	M5.1/N	10.5G	M19.2/3	13.3A	R20/3	15.2F	S20/X2/4	17.6E	W3/XS27	14.3B	X11/BU/4	15.5B	X29/BU/6	12.8C	X29/ST/16	13.8C		
	H1/P	8.4F	K31B/2	17.9E	M5.1/P	10.5G	M19.2/4	13.3B	R20/4		S20/X2/5	17.6F	W3/XS30	14.2C	X11/BU/5	15.5B	X29/BU/7	12.8C	X29/ST/17	12.6C		
	K1/A1/1	6.2F	K31B/3	17.8E	M5.1/S1/1	10.5G	M20.1/1	12.5A	R29/1	19.8D	S20/X2/6	17.6F	W3/XS31	14.9D	X11/BU/6	15.5B	X29/BU/8	12.7C	X29/ST/17	13.6C		
	K1/A2/1	6.2F	K31B/4	17.8E	M5.1/S1/2	10.6G	M20.1/2	12.5B	R29/2	19.8E	S21/NC1	14.9E	W3/XS32	16.4B	X11/BU/7	15.5B	X29/BU/9	12.7C	X29/ST/18			
E	K1/K1/1	6.2F	K31B/5	17.8E	M5.2/N	11.5G	M20.1/3	12.5A	R102/1	19.4C	S21/NC2	14.9E	W3/XS33	16.4C	X11/BU/8	15.5B	X29/BU/10	12.5C	X29/ST/18			
	K1/K1/2	6.3F	M1/U	14.5G	M5.2/P	11.4G	M20.1/4	12.5B	R102/2	19.4C	S21/NO1	14.9E	W3/XS34	21.2G	X11/ST/1		X29/BU/11	12.5C	X32/BU/1	21.2C		
	K1/K2/1	6.3F	M1/V	14.6G	M5.2/S1/1	11.5G	M20.2/1	13.4A	S1/1	7.2C	S21/NO2	14.9E	W3/XS37	14.8F	X11/ST/1		X29/BU/12		X32/BU/2	21.2C		
	K1/K3/1	6.3F	M1/W	14.6G	M5.2/S1/2	11.5G	M20.2/2	13.4B	S1/2	7.2C	S29/1	19.7F	W3/XS38	14.8G	X11/ST/2	15.4B	X29/BU/13		X32/ST/1	21.2C		
	K1/K3/2	6.3F	M1/X1/1	14.7G	M6/A	13.8F	M20.2/3	13.5A	S1/UBat	7.2C	S29/2	19.7F	W3/XS56	8.3E	X11/ST/2		X29/BU/14	12.6C	X32/ST/2	21.2C		
	K1/K4/1	6.3F	M1/X1/2	14.7G	M6/B	13.8G	M20.2/4	13.5B	S2/1	15.4F	S29/3	19.7F	W3/XS57	8.3F	X11/ST/3	15.5B	X29/BU/15	12.8C	X43/A/1	7.9E		
F	K2/N	14.1C	M1/X1/3	14.7G	M7/1	20.5E	M21.1/N	12.2B	S2/2	15.4F	S29/4	19.7F	W3/XS59		X11/ST/3		X29/BU/16	12.9C	X43/A/2	7.8F		
	K2/N	14.1C	M1/X1/4	14.7G	M7/2	20.5E	M21.1/P	12.2A	S2/3	15.4F	S30/COM1	21.2C	W3/XS60		X11/ST/4	15.5B	X29/BU/17	12.6C	X43/A/3	7.8F		
	K2/P	14.1B	M1/X2/1	14.7G	M8/1	9.5G	M21.1/X3/1	12.3A	S5/1	9.5A	S30/NO4	21.2B	W3/XS61	8.3F	X11/ST/4		X29/BU/18		X43/A/4	7.8E		
	K2/P	14.1B	M1/X2/2		M8/2	9.5G	M21.1/X3/2	12.3B	S5/2	9.5A	T1/1	17.2F	W3/XS62	8.3G	X11/ST/5	15.5B	X29/ST/1	12.5C	X43/B/2	7.9F		
	K3/N	15.2C	M1/X2/3	14.8G	M9/1	10.2B	M21.2/N	13.2B	S5/3	9.5B	T1/2	17.2G	W19/XS25	15.2B	X11/ST/5		X29/ST/1	13.4C	X43/B/3	7.9F		
	K3/N	15.1C	M1/X3/1	14.6G	M9/2	10.2B	M21.2/P	13.2A	S5/4	9.5B	T1/3	17.2F	W19/XS63	15.5C	X11/ST/6	15.5B	X29/ST/2	12.5C	X43/B/4	7.10F		
	K3/P	15.2B	M1/X3/2	14.6G	M9/3	10.3B	M21.2/X3/1	13.2A	S6/1	17.3E	T1/4	17.3F	W28/XS16	9.8E	X11/ST/6		X29/ST/2	13.5C	X43/B/5	7.10F		
G	K3/P	15.1B	M2/U	15.5G	M9/4	10.3B	M21.2/X3/2	13.2B	S6/2	17.3E	T1/5	17.3G	W29/XS14	8.5F	X11/ST/7	15.5B	X29/ST/3		X53/BU/1	13.2E		
	K8/D1/1	13.6F	M2/V	15.5G	M9/5	10.3B	M24.1/1	12.8B	S6/3	17.3E	T1/6	17.2G	W58/XS18	12.3B	X11/ST/7	15.7B	X29/ST/3		X53/BU/2	13.3E		
	K8/D2/1	13.7F	M2/W	15.5G	M9/6	10.3B	M24.1/2	12.8A	S6/4		V1/1	8.3F	W58/XS19	12.4C	X11/ST/8		X29/ST/4		X53/BU/3	13.3E		
	K8/FA/1/1	13.6F	M2/X1/1	15.6G	M10/1	10.4B	M24.2/1	13.7B	S6/5	17.4E	V1/2	8.3F	W59/XS35	13.3B	X11/ST/8	15.7B	X29/ST/4		X53/BU/4			
	K8/FA/2/1	13.6G	M2/X1/2	15.6G	M10/2	10.4C	M24.2/2	13.7A	S6/7		V2/1	14.8G	W59/XS36	13.3C	X20/BU/1	10.5E	X29/ST/5	12.6C	X53/BU/5	13.5E		
	K8/N/1	13.7G	M2/X1/3	15.6G	M13.1/1	12.6A	M25.1/1	12.8B	S6/8	17.4E	V2/2	14.8G	W76/XS39	18.2F	X20/BU/2	10.5E	X29/ST/5	13.6C	X53/BU/6	13.6E		

Freigabevermerk:					3		*/		4315-77		05.07.2021		Ri		Date 09.10.2020 Name Ri		B400 R		Name		Drawing Number 91040360		A2			
		No. Number appears			Change No.		Date		Name		Printed		28.09.2021		3050-27		Replacement for		Schaltplan B400 R / circuit diagram B400 R		Engineering Base 6.9.1		Type 7437 Dept. DS		No. of Sh. 27 Sheet 4	

No: 91040360

3 Pin-Splice

	Name	Position	Name	Position	Name	Position	Name	Position	Name	Position
A	X53/BU/7		X63/BU/3	20.6D	X69/ST/1	16.5E	X75/BU/8	17.8C	X78/ST/6	18.5D
	X53/BU/8	13.5E	X63/BU/4	20.6D	X69/ST/2	16.5E	X75/BU/9	17.8C	X78/ST/7	18.6D
	X53/BU/9	13.2E	X63/ST/1	20.5D	X71/BU/1	21.5F	X75/BU/10	17.9C	X78/ST/8	18.6D
	X53/BU/10	13.3E	X63/ST/2	20.6D	X71/BU/2	21.6F	X75/ST/1	17.7C	X78/ST/9	18.6D
	X53/BU/11	13.4E	X63/ST/3	20.6D	X71/BU/3		X75/ST/2	17.7C	X78/ST/10	18.6D
B	X53/BU/12		X63/ST/4	20.6D	X71/BU/4		X75/ST/3	17.7C	X79/BU/1	20.8D
	X53/BU/13	13.5E	X65/BU/1	16.4E	X71/BU/5		X75/ST/4	17.8C	X79/BU/2	
	X53/BU/14	13.6E	X65/BU/2	16.4E	X71/BU/6	21.5F	X75/ST/5	17.8C	X79/BU/3	20.8D
	X53/BU/15		X65/ST/1	16.4E	X71/BU/7		X75/ST/6	17.7C	X79/BU/4	
	X53/BU/16	13.5E	X65/ST/2	16.4E	X71/BU/8		X75/ST/7	17.7C	X79/ST/1	20.8D
	X53/ST/1	13.2E	X66/BU/1	16.4D	X71/ST/1	21.5F	X75/ST/8	17.8C	X79/ST/2	
	X53/ST/2	13.3E	X66/BU/2	16.5D	X71/ST/2	21.6F	X75/ST/9	17.8C	X79/ST/3	20.8D
C	X53/ST/3	13.3E	X66/BU/3	16.5D	X71/ST/3		X75/ST/10	17.9C	X79/ST/4	
	X53/ST/4		X66/BU/4	16.5D	X71/ST/4		X76/BU/1	18.2E	X80/BU/1	9.3G
	X53/ST/5	13.5E	X66/BU/5	16.5D	X71/ST/5		X76/BU/2	18.2E	X80/BU/2	9.3G
	X53/ST/6	13.6E	X66/BU/6	16.5D	X71/ST/6	21.5F	X76/BU/3	18.2E	X97/1	9.2G
	X53/ST/7		X66/ST/1	16.4D	X71/ST/7		X76/BU/4	18.2E	X97/2	9.2G
	X53/ST/8	13.5E	X66/ST/2	16.5D	X71/ST/8		X76/ST/1	18.2E	X97/3	9.2G
D	X53/ST/9	13.2E	X66/ST/3	16.5D	X72/BU/1	21.5D	X76/ST/2	18.2E	X97/4	9.2G
	X53/ST/10	13.3E	X66/ST/4	16.5D	X72/BU/2	21.5D	X76/ST/3	18.2E	X100/1	8.5G
	X53/ST/11	13.4E	X66/ST/5	16.5D	X72/BU/3	21.6D	X76/ST/4	18.2E	X101/1	9.8F
	X53/ST/12		X66/ST/6	16.5D	X72/ST/1	21.5D	X77/BU/1	18.8E	XE14/ST/1	16.8E
	X53/ST/13	13.5E	X68/BU/1	19.6D	X72/ST/2	21.5D	X77/BU/2	18.8E	XE14/ST/1	16.9E
	X53/ST/14	13.6E	X68/BU/2		X72/ST/3	21.6D	X77/BU/3	18.8E	XE14/ST/2	16.8E
	X53/ST/15		X68/BU/3	19.6D	X73/BU/1	21.5C	X77/BU/4	18.8E	XE14/ST/2	16.9E
E	X53/ST/16	13.5E	X68/BU/4	19.7D	X73/BU/2	21.5C	X77/ST/1	18.8E	Y1/1	9.6E
	X60/BU/1	7.4B	X68/BU/5	19.7D	X73/BU/3	21.6C	X77/ST/2	18.8E	Y1/2	9.6F
	X60/BU/2		X68/BU/6	19.6D	X73/ST/1	21.5C	X77/ST/3	18.8E	Y3/1	20.6E
	X60/BU/3		X68/BU/7		X73/ST/1	21.5E	X77/ST/4	18.8E	Y3/2	20.6E
	X60/BU/4	7.4C	X68/BU/8	19.6D	X73/ST/2	21.5C	X78/BU/1	18.5D		
	X60/BU/5		X68/BU/9	19.7D	X73/ST/2	21.5E	X78/BU/2	18.5D		
F	X60/BU/6	7.4C	X68/BU/10	19.7D	X73/ST/3	21.6C	X78/BU/3	18.5D		
	X60/BU/7		X68/ST/1	19.6D	X73/ST/3	21.6E	X78/BU/4	18.5D		
	X60/BU/8		X68/ST/2		X74/BU/A	17.1B	X78/BU/5	18.5D		
	X60/BU/9		X68/ST/3	19.6D	X74/BU/B	17.2B	X78/BU/6	18.5D		
	X60/BU/10		X68/ST/4	19.7D	X74/ST/A	17.1B	X78/BU/7	18.6D		
	X60/BU/11	7.4C	X68/ST/5	19.7D	X74/ST/B	17.2B	X78/BU/8	18.6D		
	X60/BU/12	7.4C	X68/ST/6	19.6D	X75/BU/1	17.7C	X78/BU/9	18.6D		
G	X60/BU/13		X68/ST/7		X75/BU/2	17.7C	X78/BU/10	18.6D		
	X60/BU/14	7.4C	X68/ST/8	19.6D	X75/BU/3	17.7C	X78/ST/1	18.5D		
	X60/BU/15		X68/ST/9	19.7D	X75/BU/4	17.8C	X78/ST/2	18.5D		
	X60/BU/16	7.4C	X68/ST/10	19.7D	X75/BU/5	17.8C	X78/ST/3	18.5D		
	X63/BU/1	20.5D	X69/BU/1	16.5E	X75/BU/6	17.7C	X78/ST/4	18.5D		
	X63/BU/2	20.6D	X69/BU/2	16.5E	X75/BU/7	17.7C	X78/ST/5	18.5D		

Freigabevermerk:

3

/

4315-77

05.07.2021

Ri

Drawn

09.10.2020

Ri

Verified

28.09.2021

B400 R

Name

Schaltplan B400 R / circuit diagram B400 R

Replacement for

3050-27



Drawing Number

91040360

A2

For this drawing we reserve all rights (acc. DIN ISO 16016)

Engineering Base 6.9.1

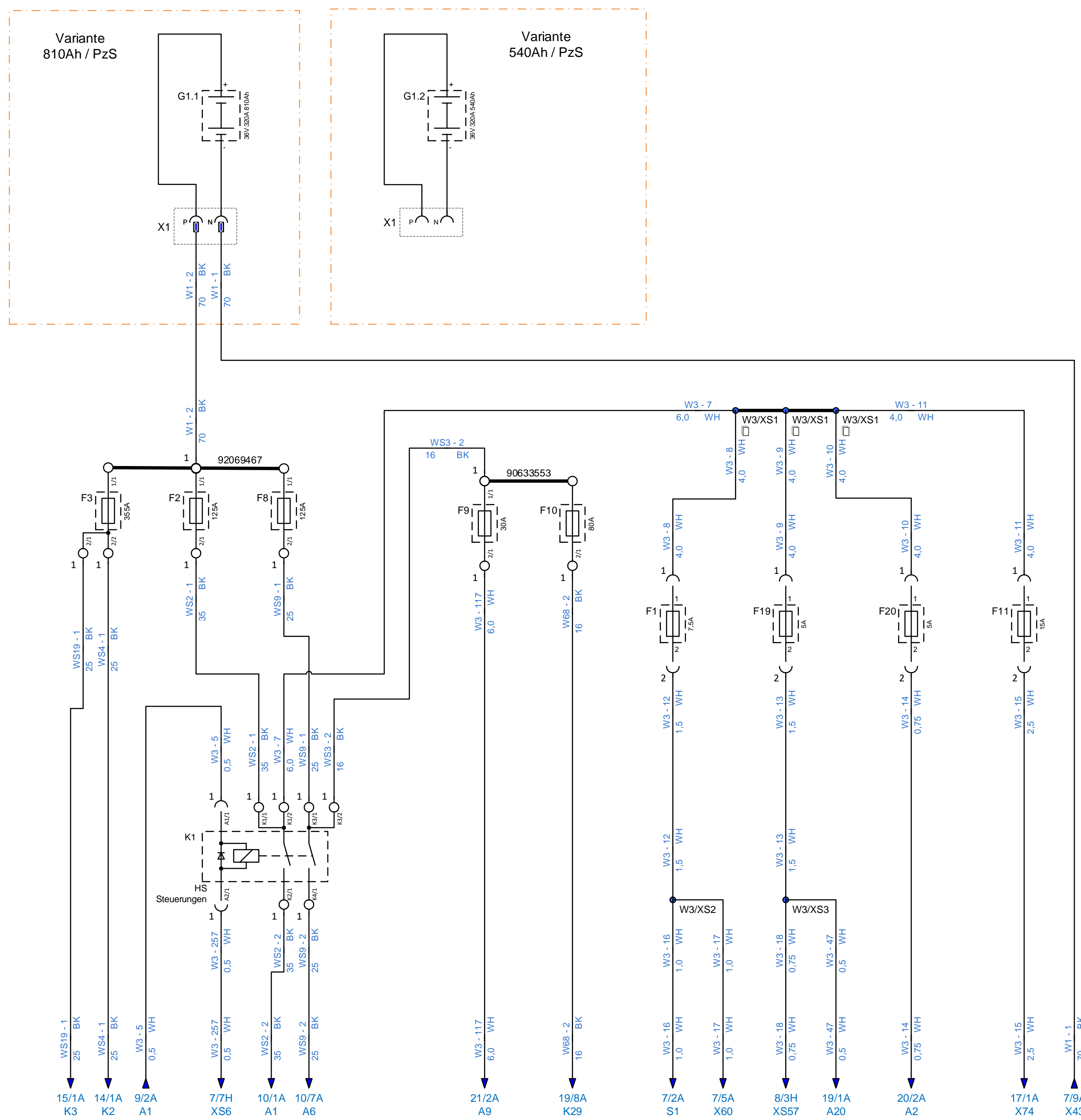
Type 7437 Dept. DS


No. of Sh.27

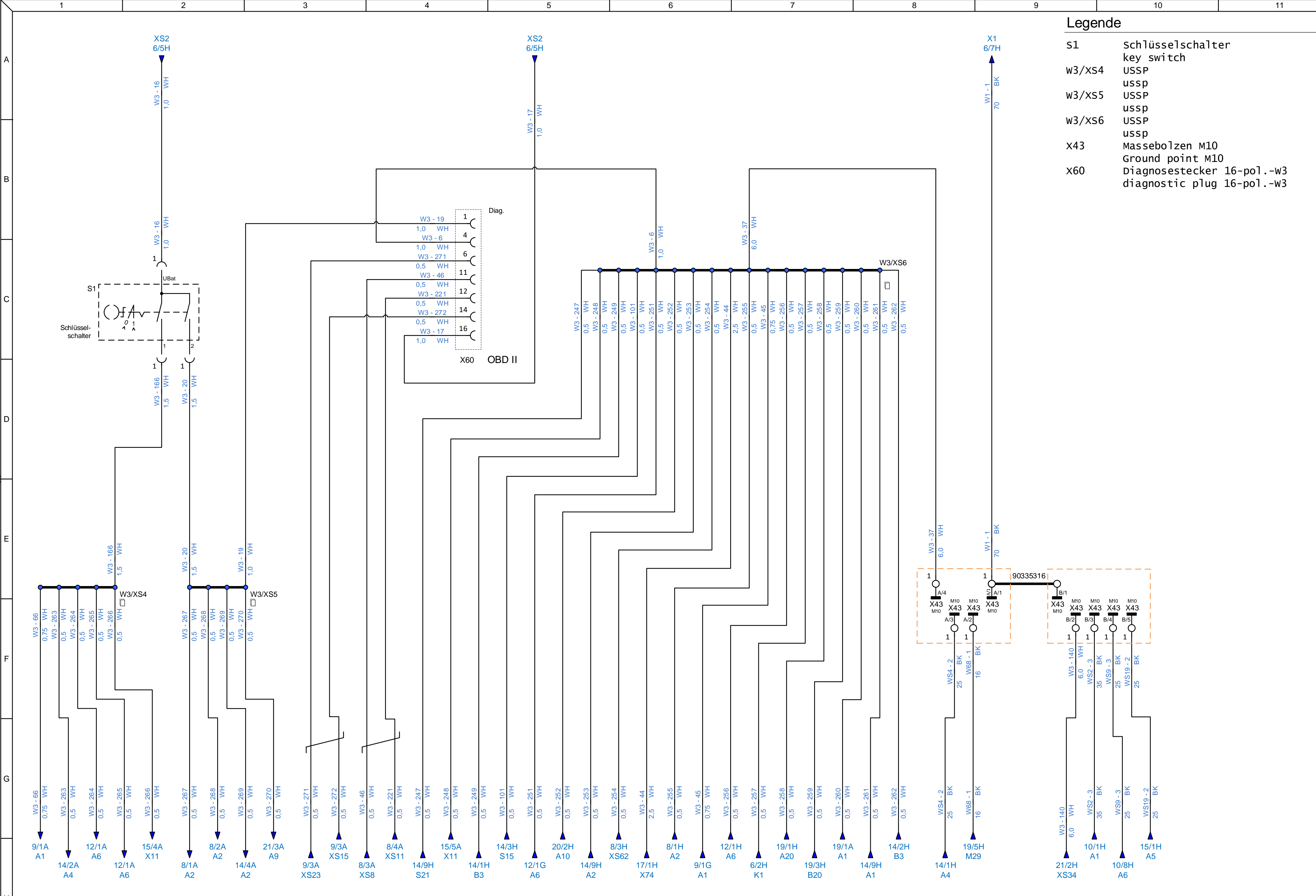
Sheet 5

Legende


- F1 Sicherung Schlüsselschalter 7,5A
fuse keyswitch 7,5A
- F2 Sicherung Steuerung A1 125A
fuse controller A1 125A
- F3 Sicherung Fahren 355A
fuse drive 355A
- F8 Sicherung Steuerung A6 125A
fuse Steuerung A6 125A
- F9 Sicherung Lenken 30A
fuse steering 30A
- F10 Sicherung Hochdruckreiniger 80A
fuse high-pressure cleaner 80A
- F11 Sicherung StvZO 15A
fuse road traffic act 15A
- F19 Sicherung Hupe / Fleet 5A
fuse horn / fleet 5A
- F20 Sicherung Anzeige 5A
fuse display 5A
- G1.1 Batterie 36V 320A 810Ah
battery 36V 320A 810Ah
- G1.2 Batterie 36V 320A 540Ah
battery 36V 320A 540Ah
- K1 Hauptschütz 36V
main contactor 36V
- W3/XS1 USSP
ussp
- W3/XS2 USSP
ussp
- W3/XS3 USSP
ussp
- X1 Batteriestecker 2-pol. w1
battery connector 2-pol. w1

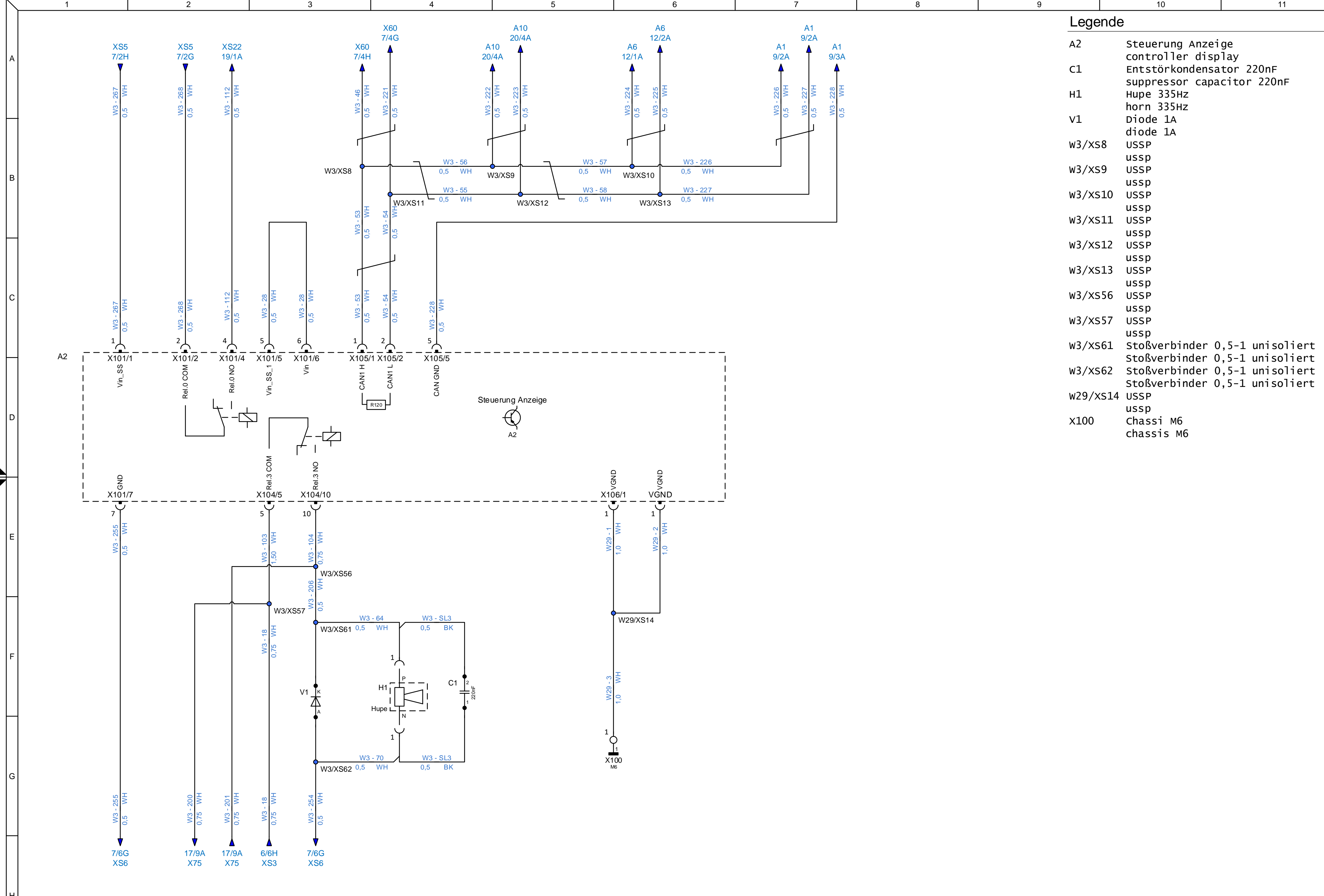


Freigabevermerk:		3	*/*	4315-77	05.07.2021	Ri	Date	Name	B400 R	Name	 Hako GmbH D-23840 Bad Odesheide		Drawing Number	A2
		No.	Number appears	Change No.	Date	Name	Std.		Replacement for	Schaltplan B400 R / circuit diagram B400 R		Engineering Base 6.9.1	No. of Sh. 27	Sheet 6
									3050-27	For this drawing we reserve all rights (acc. DIN ISO 16016)		Type 7437	Dept. DS	



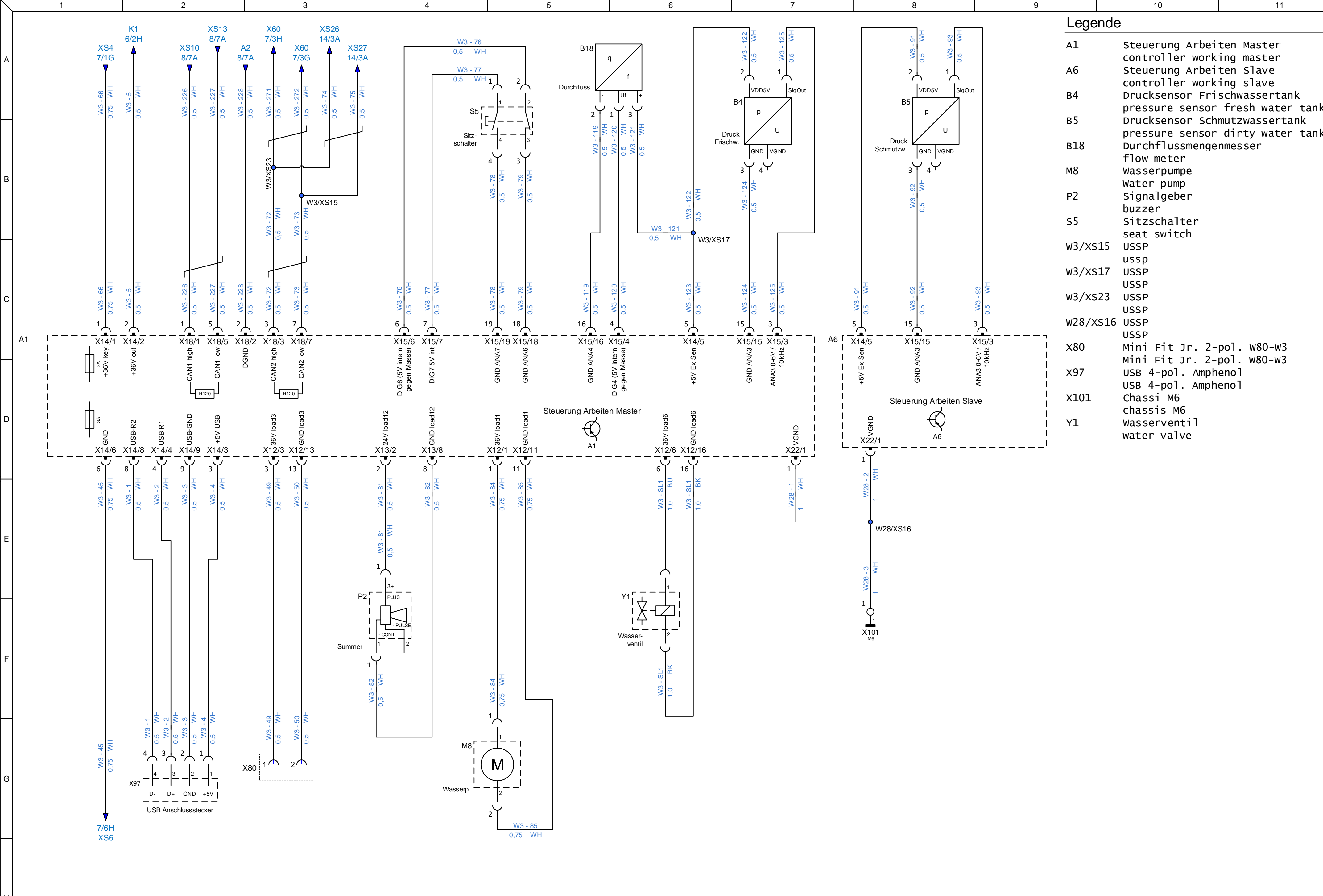
- Legende**
- S1 Schlüsselschalter
key switch
 - W3/XS4 USSP
 - W3/XS5 USSP
 - W3/XS6 USSP
 - X43 Massebolzen M10
Ground point M10
 - X60 Diagnosestecker 16-pol.-w3
diagnostic plug 16-pol.-w3

Freigabevermerk:		3	*/*	4315-77	08.12.2020	Ri	Date	Name	B400 R	Name	Schaltplan B400 R / circuit diagram B400 R		 Hako GmbH D-23840 Bad Oldesloe		Drawing Number	A2
No.	Number appears	Change No.	Date	Name	Std.				Replacement for	For this drawing we reserve all rights (acc. DIN ISO 16016)		Engineering Base 6.9.1	Type 7437	Dept. DS	No. of Sh.27	Sheet 7



Legende

- A2 Steuerung Anzeige controller display
- C1 Entstörkondensator 220nF suppressor capacitor 220nF
- H1 Hupe 335Hz horn 335Hz
- V1 Diode 1A diode 1A
- W3/XS8 USSP ussp
- W3/XS9 USSP ussp
- W3/XS10 USSP ussp
- W3/XS11 USSP ussp
- W3/XS12 USSP ussp
- W3/XS13 USSP ussp
- W3/XS56 USSP ussp
- W3/XS57 USSP ussp
- W3/XS61 Stoßverbinder 0,5-1 unisoliert
- W3/XS62 Stoßverbinder 0,5-1 unisoliert
- W29/XS14 USSP ussp
- X100 Chassi M6 chassis M6

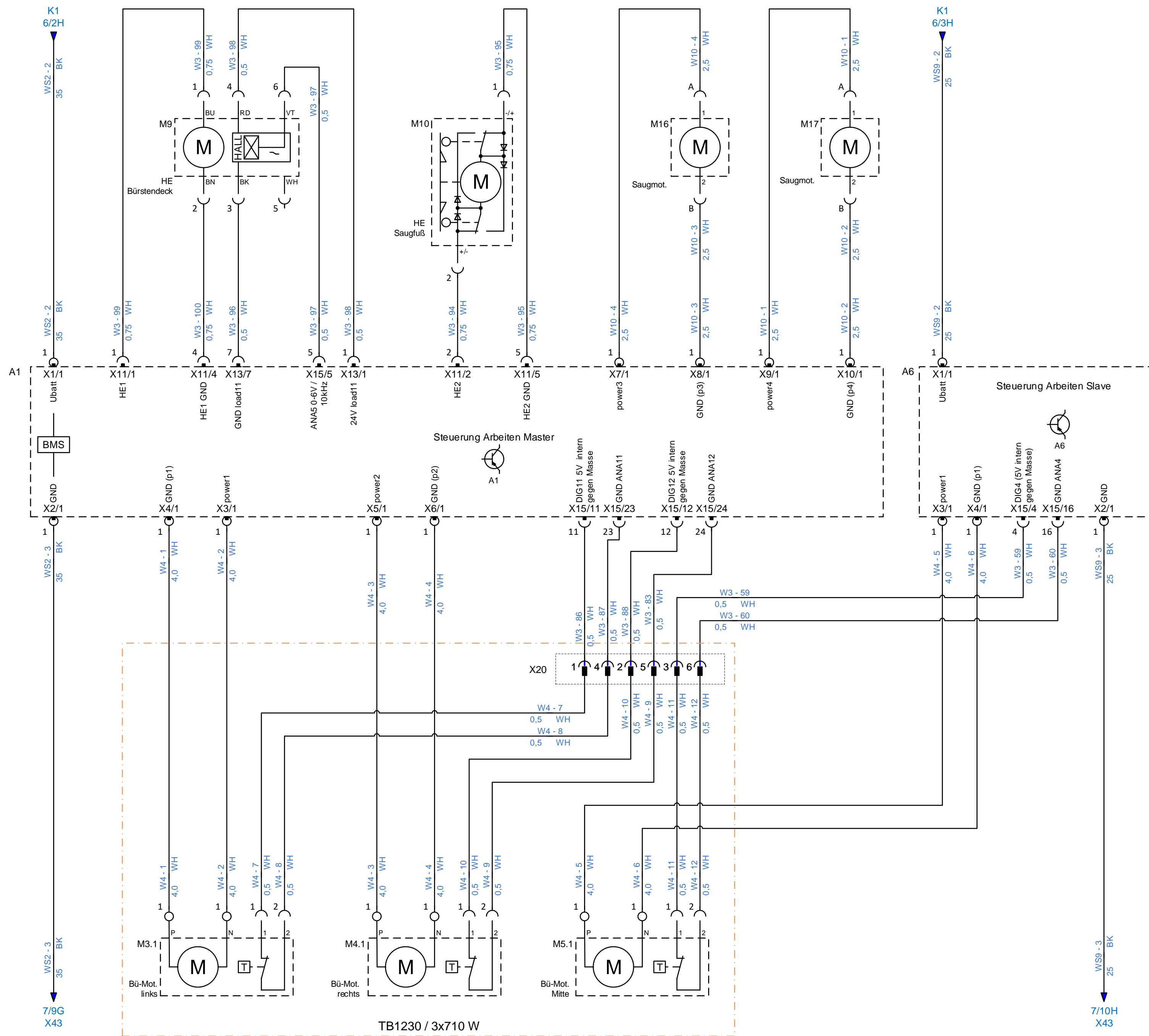


- ### Legende
- A1 Steuerung Arbeiten Master controller working master
 - A6 Steuerung Arbeiten Slave controller working slave
 - B4 Drucksensor Frischwassertank pressure sensor fresh water tank
 - B5 Drucksensor Schmutzwassertank pressure sensor dirty water tank
 - B18 Durchflussmengenmesser flow meter
 - M8 Wasserpumpe water pump
 - P2 Signalgeber buzzer
 - S5 Sitzschalter seat switch
 - W3/XS15 USSP ussp
 - W3/XS17 USSP ussp
 - W3/XS23 USSP ussp
 - W28/XS16 USSP ussp
 - X80 Mini Fit Jr. 2-pol. w80-w3 Mini Fit Jr. 2-pol. w80-w3
 - X97 USB 4-pol. Amphenol USB 4-pol. Amphenol
 - X101 Chassi M6 chassis M6
 - Y1 Wasserventil water valve

Freigabevermerk:		3		*/*		4315-77		05.07.2021		Ri		Date		Name		B400 R		Name		Drawing Number		A2							
		No.		Number appears		Change No.		Date		Name		Std.		3050-27		Replacement for		Schaltplan B400 R / circuit diagram B400 R		Hako		91040360							
For this drawing we reserve all rights (acc. DIN ISO 16016)																				Engineering Base 6.9.1		Type 7437		Dept. DS		No. of Sh. 27		Sheet 9	

Legende

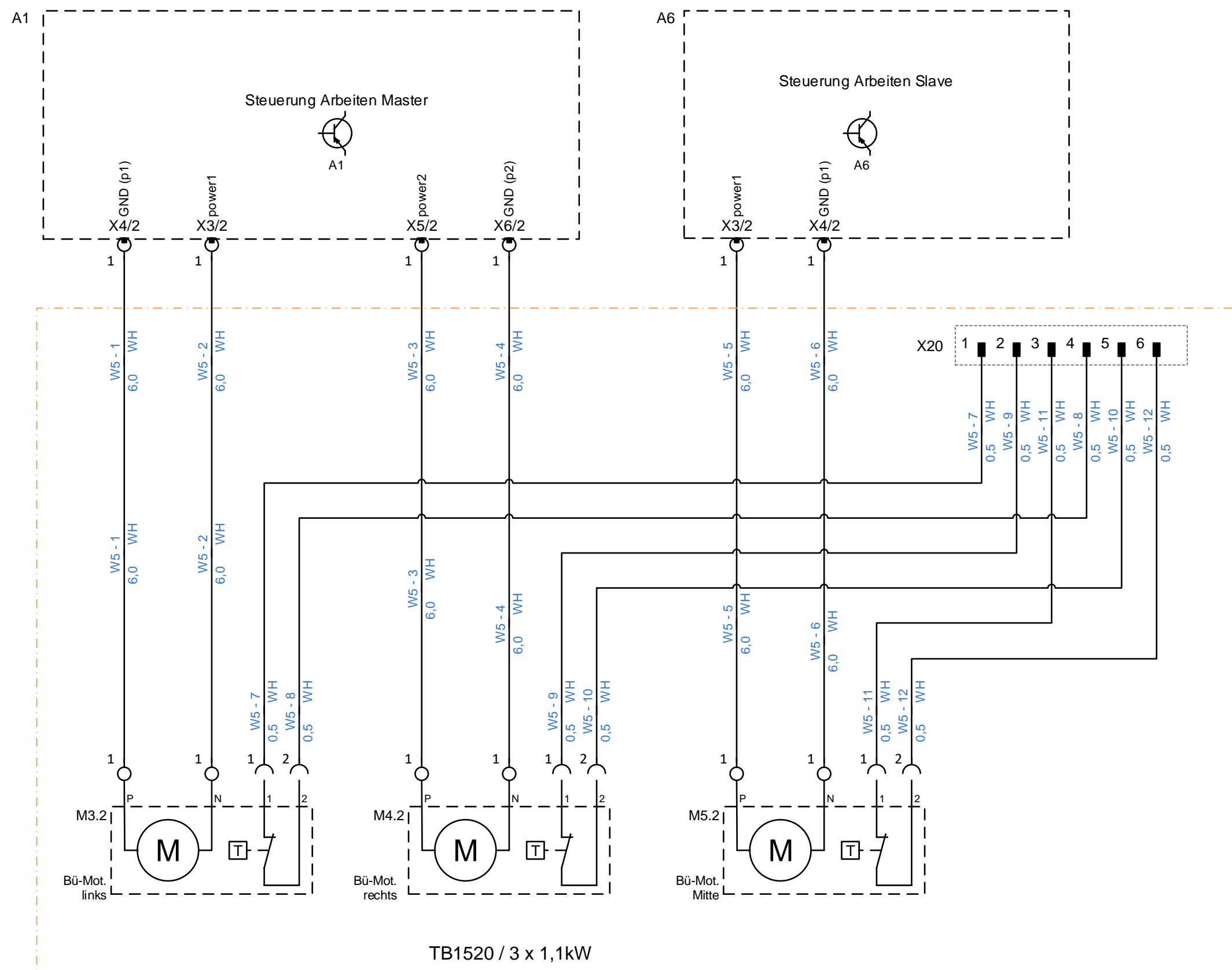
- A1 Steuerung Arbeiten Master controller working master
- A6 Steuerung Arbeiten Slave controller working slave
- M3.1 Tellerbürstenmotor links TB1230 plate brush motor left TB1230
- M4.1 Tellerbürstenmotor rechts TB1230 plate brush motor right TB1230
- M5.1 Tellerbürstenmotor mitte TB1230 plate brush motor middle TB1230
- M9 Hubelement Bürstendeck 24V actuator brush deck 24V
- M10 Hubelement Saugfuß actuator squeegee
- M16 Saugmotor 36V suction motor 36V
- M17 Saugmotor 36V suction motor 36V
- X20 Mini-Fit Jr. 6-pol. w5-w3 Mini-Fit Jr. 6-pol. w5-w3



Freigabevermerk:		3		*/*		4315-77		05.07.2021		Ri		Date		Name		B400 R		Name		Drawing Number		A2							
		No.		Number appears		Change No.		Date		Name		Std.		3050-27		Replacement for		Schaltplan B400 R / circuit diagram B400 R		Hako		91040360							
For this drawing we reserve all rights (acc. DIN ISO 16016)																				Engineering Base 6.9.1		Type 7437		Dept. DS		No. of Sh.27		Sheet 10	

Legende

- A1 Steuerung Arbeiten Master
controller working master
- A6 Steuerung Arbeiten Slave
controller working slave
- M3.2 Tellerbürstenmotor links TB1520
plate brush motor left TB1520
- M4.2 Tellerbürstenmotor rechts TB1520
plate brush motor right TB1520
- M5.2 Tellerbürstenmotor mitte TB1520
plate brush motor middle TB1520
- X20 Mini-Fit Jr. 6-pol. w5-w3
Mini-Fit Jr. 6-pol. w5-w3

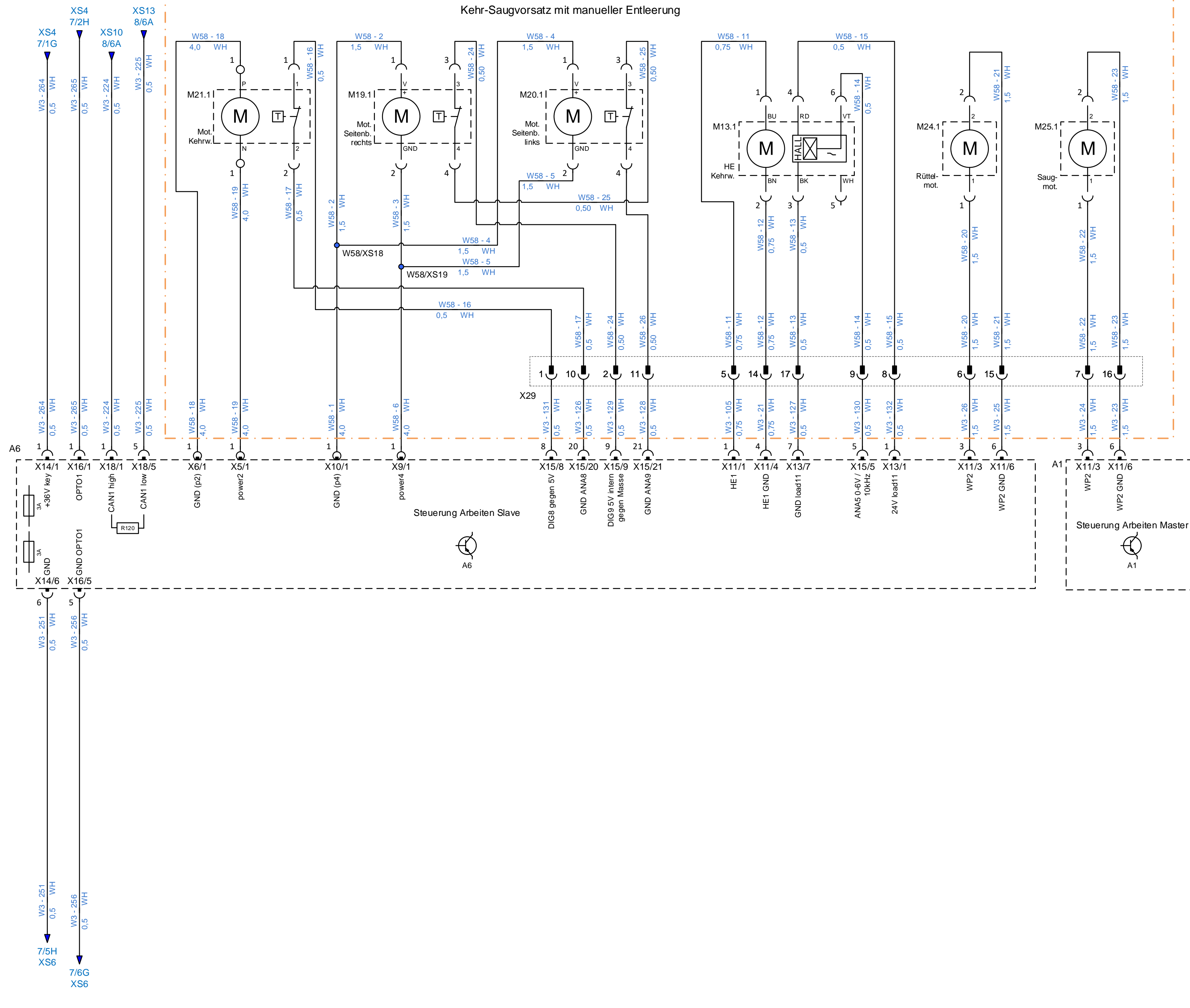


Freigabevermerk:		3	*/*	4315-77	05.07.2021	Ri	Date	Name	B400 R	Name	Hako GmbH D-23840 Bad Oldesloe		Drawing Number	A2
		No.	Number appears	Change No.	Date	Name	Std.		Replacement for	Schaltplan B400 R / circuit diagram B400 R		Engineering Base 6.9.1	91040360	
									3050-27	For this drawing we reserve all rights (acc. DIN ISO 16016)		Type 7437	No. of Sh. 27	Sheet 11

Kehr-Saugvorsatz mit manueller Entleerung

Legende

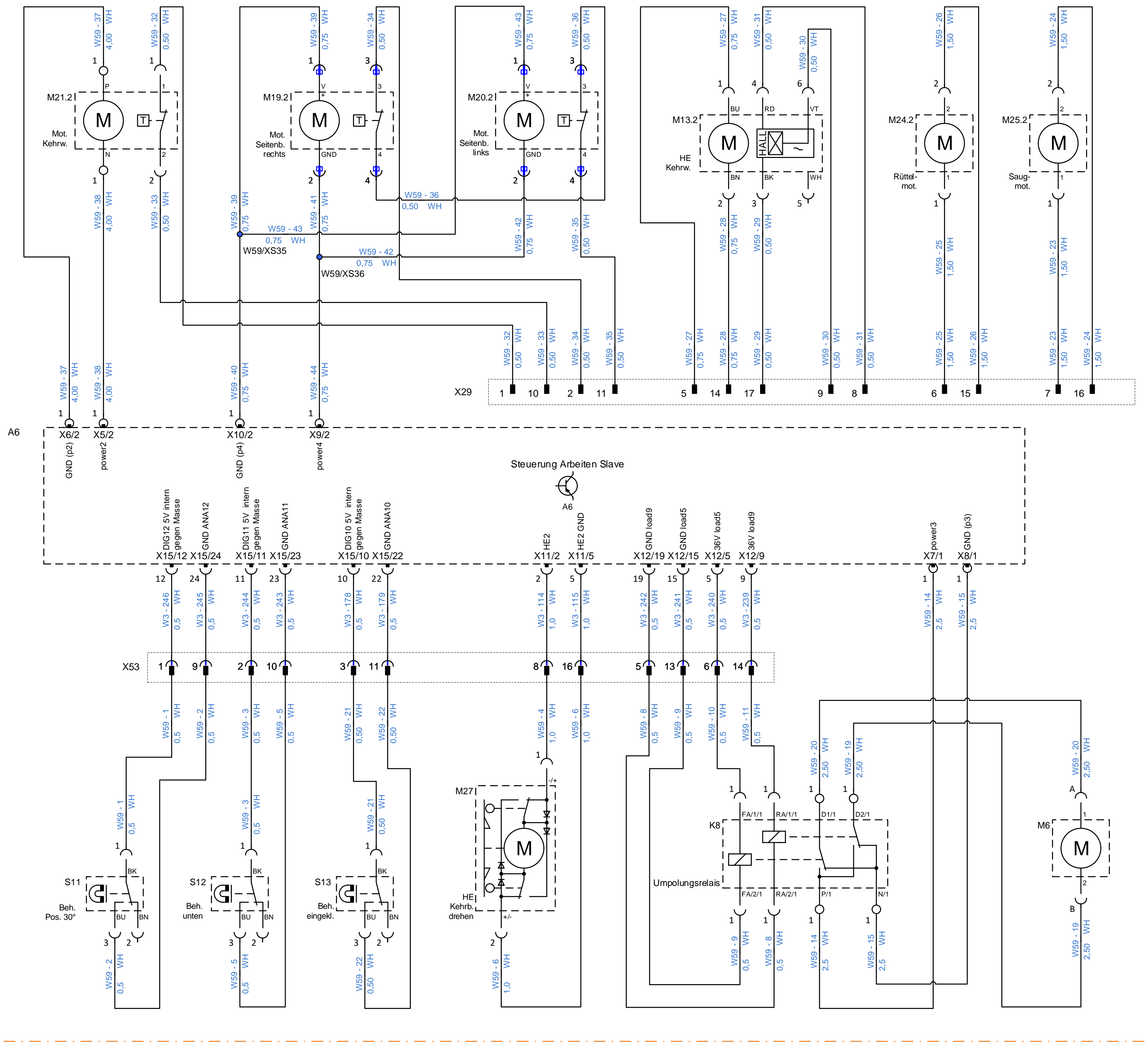
- A1 Steuerung Arbeiten Master
controller working master
- A6 Steuerung Arbeiten Slave
controller working slave
- M13.1 Hubelement kehrrwalze
actuator sweeping broom
- M19.1 Motor Seitenbesen rechts
motor side broom right
- M20.1 Motor Seitenbesen links
motor side broom left
- M21.1 Motor Kehrrwalze
motor sweeping broom
- M24.1 Rüttelmotor 36V
vibration motor 36V
- M25.1 Saugmotor 36V
suction motor 36V
- w58/XS18 USSP
ussp
- w58/XS19 USSP
ussp
- X29 Mini-Fit Jr. 18-pol. w59
Mini-Fit Jr. 18-pol. w59



Freigabevermerk:		3	*/*	4315-77	05.07.2021	Ri	Date 12.03.2020 Name Ri	B400 R Replacement for 3050-27	Name Schaltplan B400 R / circuit diagram B400 R	 Hako GmbH D-23840 Bad Oldesloe		Drawing Number 91040360	A2
No.	Number appears	Change No.	Date	Name	Std.	For this drawing we reserve all rights (acc. DIN ISO 16016)			Engineering Base 6.9.1	Type 7437	Dept. DS	No. of Sh. 27	Sheet 12

Legende

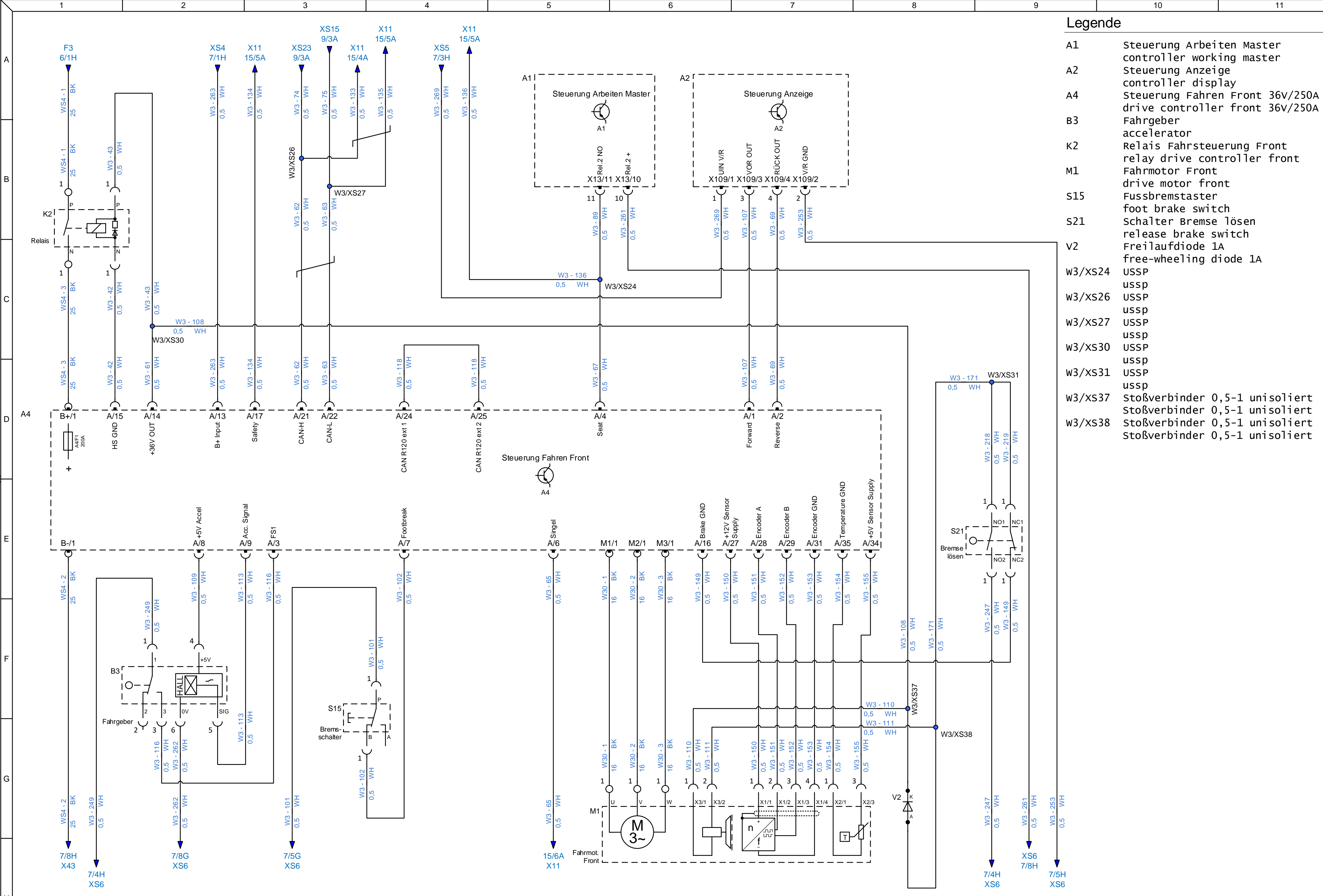
- A6 Steuerung Arbeiten Slave
- K8 Umpolungsrelais 36V
- M6 Hubelement Kehrwalze
- M13.2 Hubelement Kehrwalze
- M19.2 Motor Seitenbesen rechts
- M20.2 Motor Seitenbesen links
- M21.2 Motor Kehrwalze 36V 600W
- M24.2 Rüttelmotor 36V
- M25.2 Saugmotor 36V
- M27 Hubelement Behälter drehen 24V
- S11 Schlitzschalter Behälter 30°
- S12 Schlitzschalter Behälter unten
- S13 Schlitzschalter Behälter zu
- W59/XS35 USSP
- W59/XS36 USSP
- X29 Mini-Fit Jr. 18-pol. W59
- X53 Mini-Fit Jr. 16-pol. W59-W3



Freigabevermerk:		3	*/	4315-77	05.07.2021	Ri	Date	Name	B400 R	Name	Schaltplan B400 R / circuit diagram B400 R		Drawing Number		A2	
		No.	Number appears	Change No.	Date	Name	Std.		3050-27	For this drawing we reserve all rights (acc. DIN ISO 16016)		Engineering Base 6.9.1	Type 7437	Dept. DS	No. of Sh. 27	Sheet 13



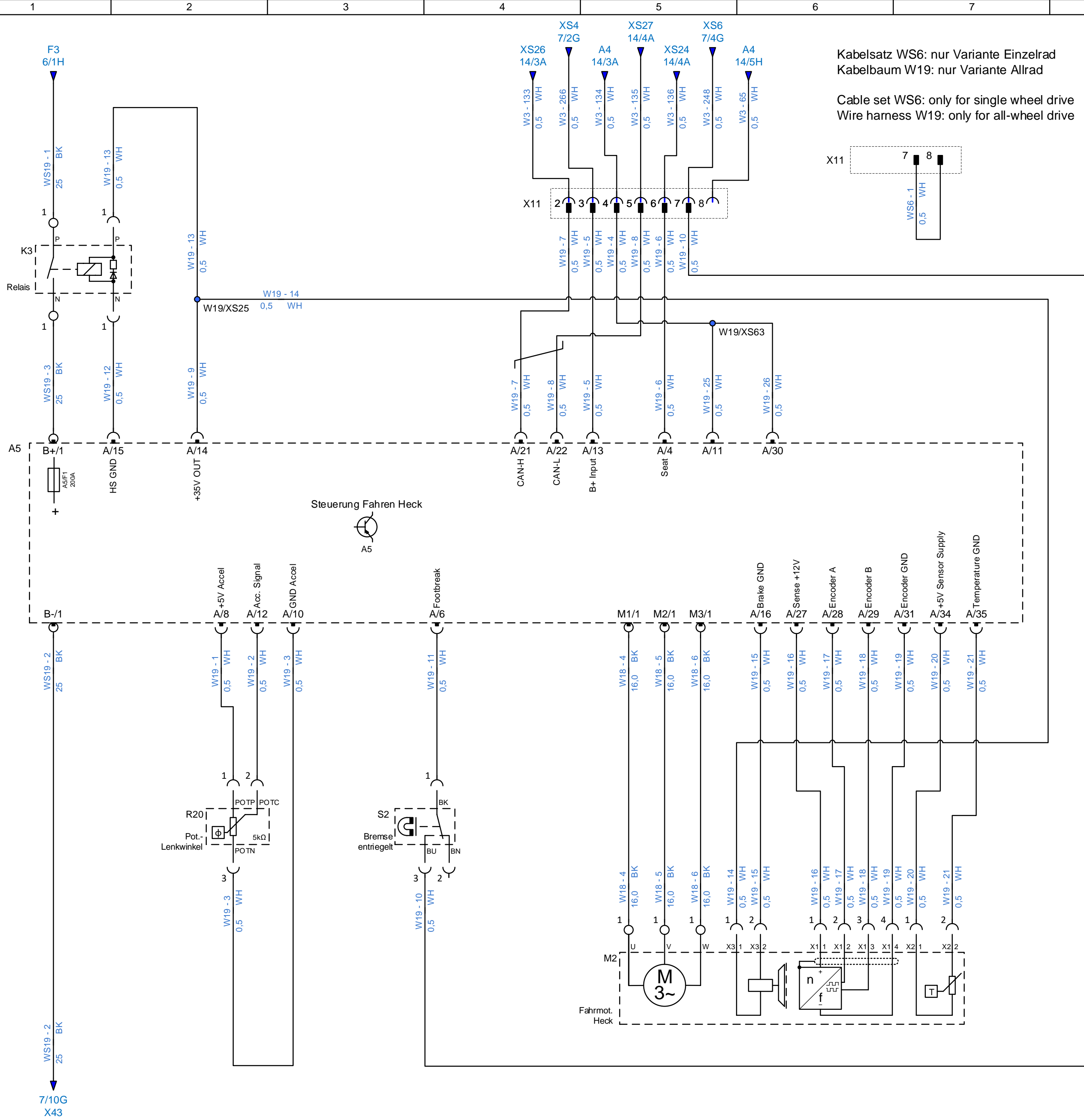
Hako GmbH
D-23840 Bad Oldesloe



- ### Legende
- A1 Steuerung Arbeiten Master controller working master
 - A2 Steuerung Anzeig controller display
 - A4 Steuerung Fahren Front 36V/250A drive controller front 36V/250A
 - B3 Fahrgeber accelerator
 - K2 Relais Fahrsteuerung Front relay drive controller front
 - M1 Fahrmotor Front drive motor front
 - S15 Fussbremstaster foot brake switch
 - S21 Schalter Bremse lösen release brake switch
 - V2 Freilaufdiode 1A free-wheeling diode 1A
 - W3/XS24 USSP ussp
 - W3/XS26 USSP ussp
 - W3/XS27 USSP ussp
 - W3/XS30 USSP ussp
 - W3/XS31 USSP ussp
 - W3/XS37 Stoßverbinder 0,5-1 unisoliert
 - W3/XS38 Stoßverbinder 0,5-1 unisoliert

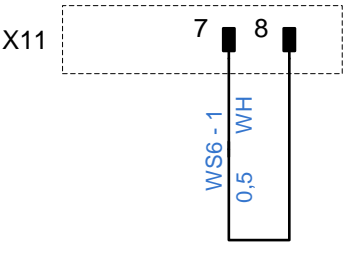
Freigabevermerk:		3	*/	4315-77	05.07.2021	Ri	Date 12.03.2020	Name Ri	B400 R	Name Schaltplan B400 R / circuit diagram B400 R	Drawing Number 91040360	A2
		No.	Number appears	Change No.	Date	Name	Std.		Replacement for 3050-27	For this drawing we reserve all rights (acc. DIN ISO 16016) Engineering Base 6.9.1 Type 7437 Dept. DS No. of Sh.27 Sheet 14		





Kabelsatz WS6: nur Variante Einzelrad
 Kabelbaum W19: nur Variante Allrad

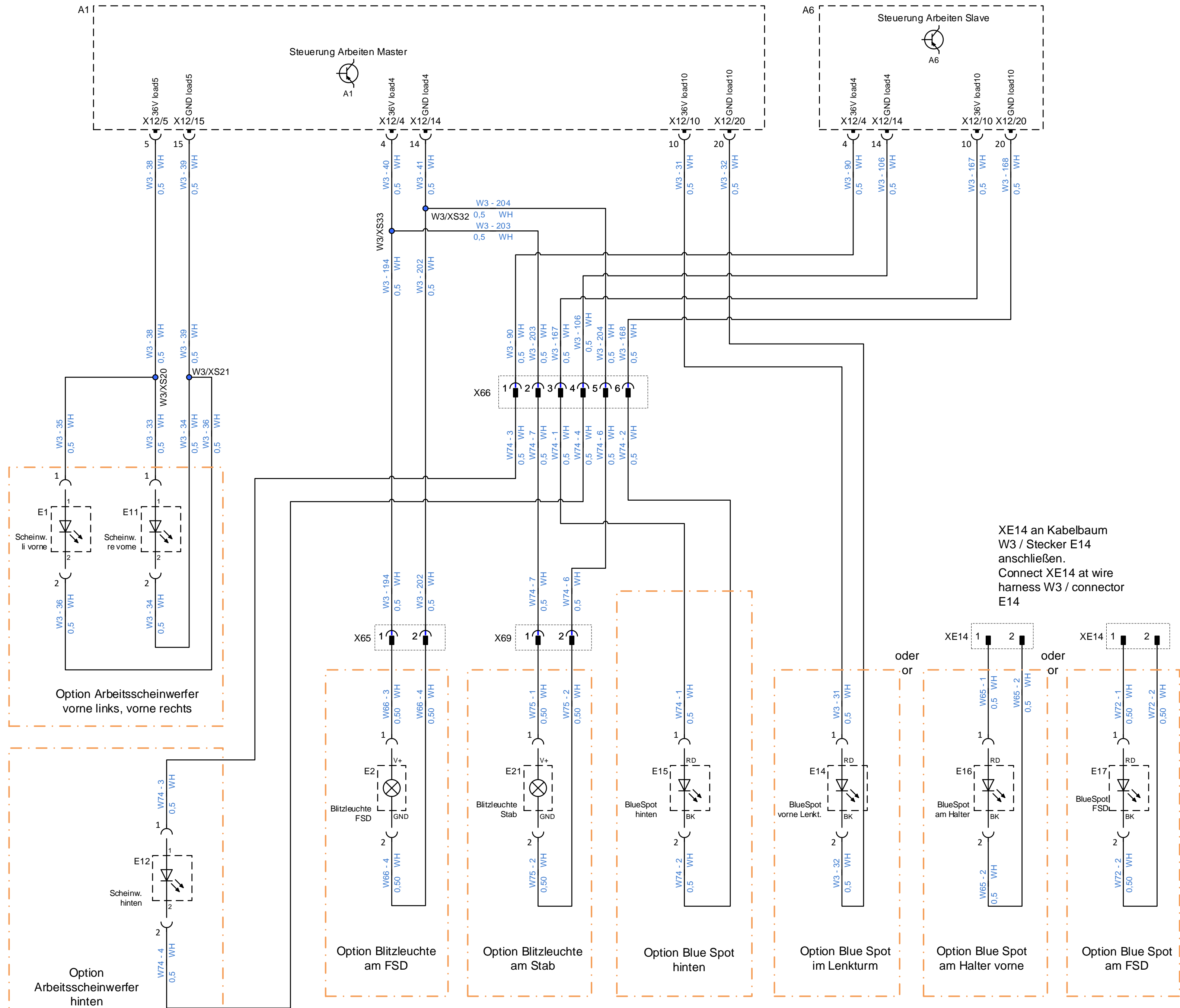
Cable set WS6: only for single wheel drive
 Wire harness W19: only for all-wheel drive



Legende

A5	Steuerung Fahren Heck 36V/250A drive controller rear 36V/250A
K3	Relais Fahrsteuerung Heck relay drive controller rear
M2	Fahrmotor Heck drive motor rear
R20	Lenkwinkelpotentiometer 5kΩ steer angle potentiometer 5kΩ
S2	Schalter Bremse entriegelt switch brake released
w19/xs25	USSP
w19/xs63	USSP
x11	USSP Mini-Fit Jr. 8-pol. WS6 Mini-Fit Jr. 8-pol. WS6

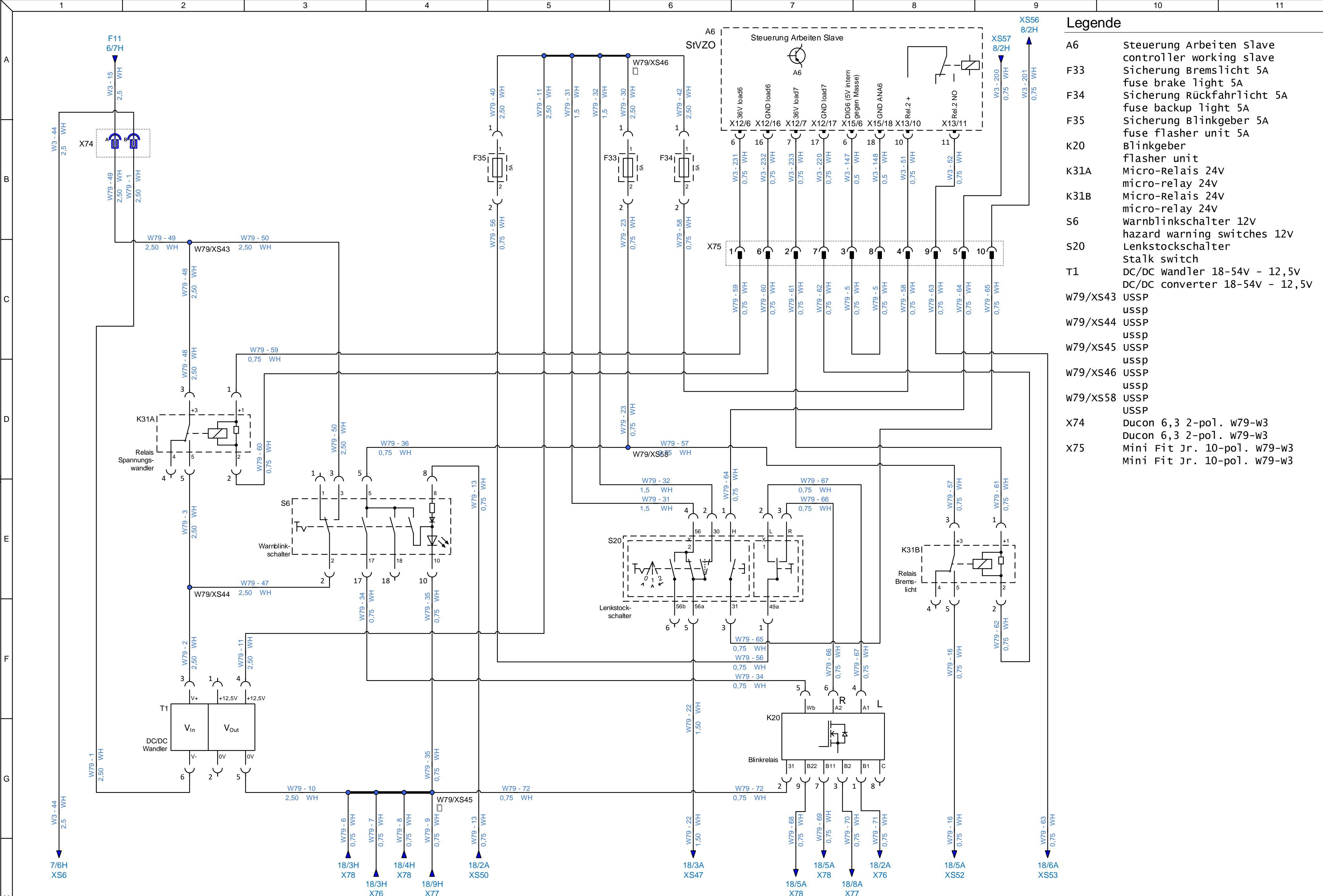
Freigabevermerk:		3	*/*	4315-77	05.07.2021	Ri	Date	Name	B400 R	Name	Schaltplan B400 R / circuit diagram B400 R		Drawing Number		A2	
		No.	Number appears	Change No.	Date	Name	Std.		Replacement for	For this drawing we reserve all rights (acc. DIN ISO 16016)		Engineering Base 6.9.1	Type 7437	Dept. DS	No. of Sh.27	Sheet 15
								3050-27				Hako Hako GmbH D-23840 Bad Odesheide				



- ### Legende
- A1 Steuerung Arbeiten Master controller working master
 - A6 Steuerung Arbeiten Slave controller working slave
 - E1 Arbeitsscheinwerfer links working headlight left
 - E2 Blitzleuchte Fahrerschutzdach flashlight overhead cover
 - E11 Arbeitsscheinwerfer rechts working headlight right
 - E12 Arbeitsscheinwerfer hinten working headlight rear
 - E14 BlueSpot Lenkturm LED bluespot steering unit LED
 - E15 BlueSpot hinten LED bluespot rear LED
 - E16 Blue spot am Halter LED blue spot at holder LED
 - E17 BlueSpot FSD LED bluespot overhead cover LED
 - E21 Blitzleuchte am Stab flashlight at bar
 - W3/XS20 USSP ussp
 - W3/XS21 USSP ussp
 - W3/XS32 USSP ussp
 - W3/XS33 USSP ussp
 - X65 SuperSeal 2-pol. w66-w3 SuperSeal 2-pol. w66-w3
 - X66 Mini-Fit Jr. 6-pol. w74-w3 Mini-Fit Jr. 6-pol. w74-w3
 - X69 Mini-Fit Jr. 2-pol. w75-w74 Mini-Fit Jr. 2-pol. w75-w74
 - XE14 SuperSeal 2-pol. w65 SuperSeal 2-pol. w65

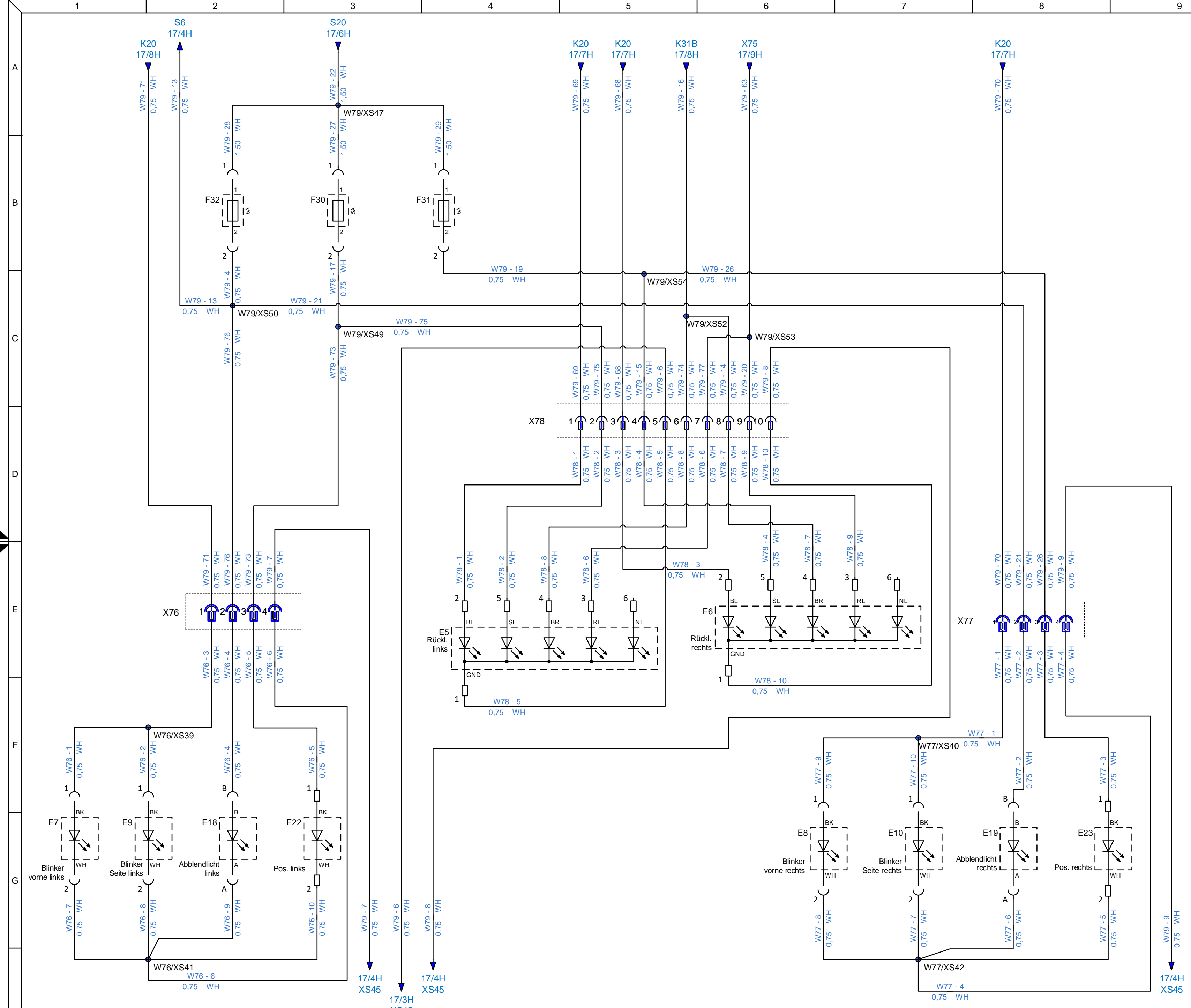
XE14 an Kabelbaum W3 / Stecker E14 anschließen.
Connect XE14 at wire harness W3 / connector E14

Freigabevermerk:			Date		Name		B400 R		Name		Drawing Number		A2	
			15.03.2018		Ri		Replacement for		Schaltplan B400 R / circuit diagram B400 R		91040360			
			3050-27								Type 7437 Dept. DS		No. of Sh.27 Sheet 16	
No. Number appears			Change No.		Date		Name		Std.		For this drawing we reserve all rights (acc. DIN ISO 16016)		Engineering Base 6.9.1	



- ### Legende
- A6 Steuerung Arbeiten Slave
controller working slave
 - F33 Sicherung Bremslicht 5A
fuse brake light 5A
 - F34 Sicherung Rückfahrlicht 5A
fuse backup light 5A
 - F35 Sicherung Blinkgeber 5A
fuse flasher unit 5A
 - K20 Blinkgeber
flasher unit
 - K31A Micro-Relais 24V
micro-relay 24V
 - K31B Micro-Relais 24V
micro-relay 24V
 - S6 warnblinkschalter 12V
hazard warning switches 12V
 - S20 Lenkstockschalter
Stalk switch
 - T1 DC/DC Wandler 18-54V - 12,5V
DC/DC converter 18-54V - 12,5V
 - W79/XS43 USSP
ussp
 - W79/XS44 USSP
ussp
 - W79/XS45 USSP
ussp
 - W79/XS46 USSP
ussp
 - W79/XS58 USSP
USSP
 - X74 Ducon 6,3 2-pol. w79-w3
Ducon 6,3 2-pol. w79-w3
 - X75 Mini Fit Jr. 10-pol. w79-w3
Mini Fit Jr. 10-pol. w79-w3

Freigabevermerk:		3		*/*		4315-77		05.07.2021		Ri		Date 15.03.2018		Name Ri		B400 R		Name Schaltplan B400 R / circuit diagram B400 R		Drawing Number 91040360		A2			
No.		Number appears		Change No.		Date		Name		Std.		3050-27		For this drawing we reserve all rights (acc. DIN ISO 16016)		Engineering Base 6.9.1		Type 7437		Dept. DS		No. of Sh. 27		Sheet 17	

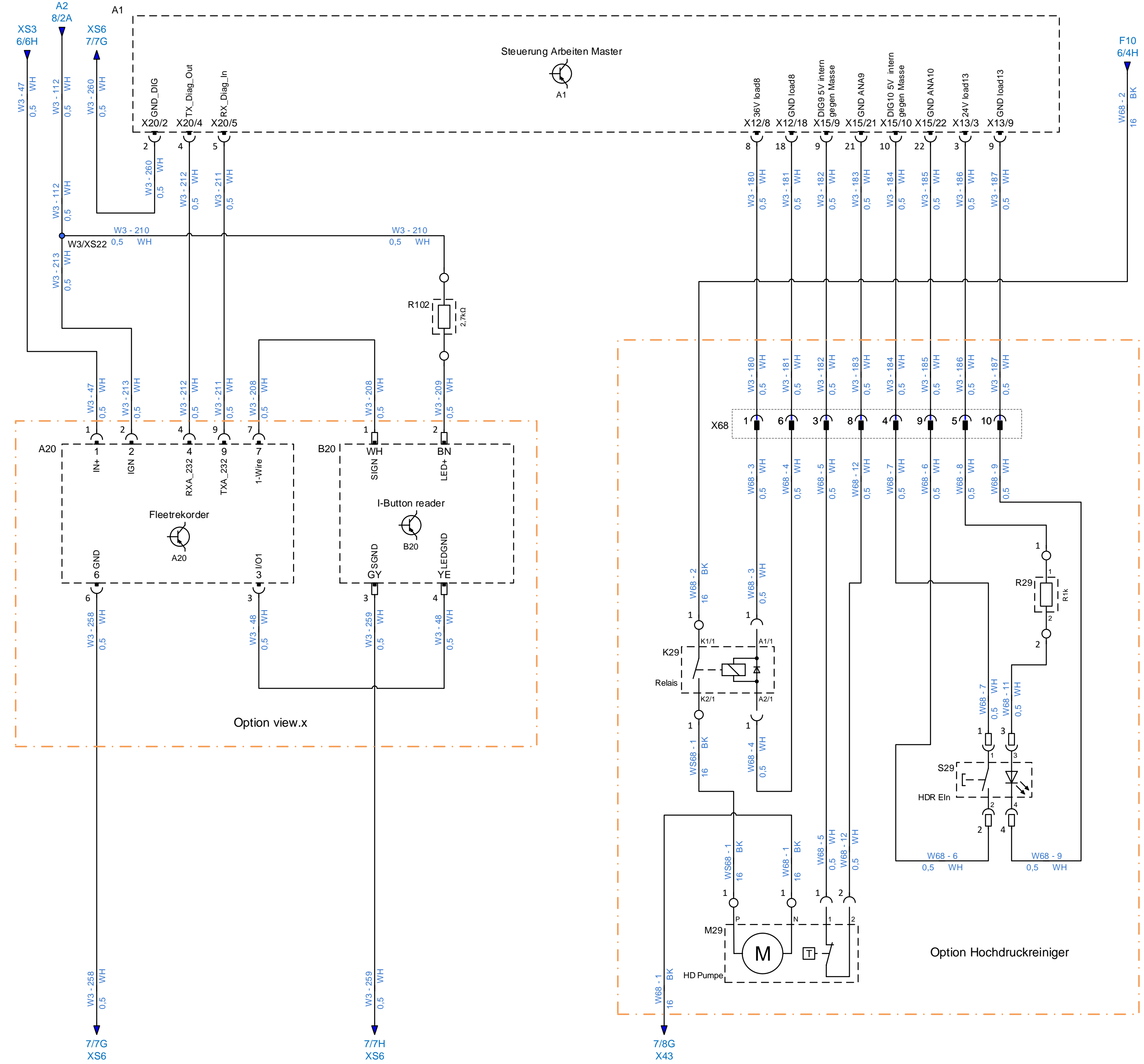


- ### Legende
- E5 Mehrkammerleuchte hinten links
combination light rear left
 - E6 Mehrkammerleuchte hinten rechts
combination light rear right
 - E7 Blinker vorne links
indicator front left
 - E8 Blinker vorne rechts
indicator front right
 - E9 Blinker links seitlich
indicator side left
 - E10 Blinker rechts seitlich
indicator side right
 - E18 Abblendscheinwerfer links LED
driving light left LED
 - E19 Abblendscheinwerfer rechts LED
driving light right LED
 - E22 Positionsleuchte links vorne
position light front left
 - E23 Positionsleuchte rechts vorne
position light front right
 - F30 Sicherung Positionsleuchte li 5A
fuse position light left 5A
 - F31 Sicherung Positionsleuchte re 5A
fuse position light right 5A
 - F32 Sicherung Abblendlicht 5A
fuse low-beam headlights 5A
 - W76/XS39 USSP
ussp
 - W76/XS41 USSP
ussp
 - W77/XS40 USSP
ussp
 - W77/XS42 USSP
ussp
 - W79/XS47 USSP
ussp
 - W79/XS49 USSP
ussp
 - W79/XS50 USSP
ussp
 - W79/XS52 USSP
ussp
 - W79/XS53 USSP
ussp
 - W79/XS54 USSP
ussp
 - X76 SuperSeal 4-pol. w76-w79
SuperSeal 4-pol. w76-w79
 - X77 SuperSeal 4-pol. w77-w79
SuperSeal 4-pol. w77-w79
 - X78 Mini Fit Jr. 10-pol. w78-w79
Mini Fit Jr. 10-pol. w78-w79

Freigabevermerk:		3	*/*	4315-77	05.07.2021	Ri	Date	Name	B400 R	Name	Schaltplan B400 R / circuit diagram B400 R		Drawing Number		A2	
No.	Number appears	Change No.	Date	Name	Std.				Replacement for	For this drawing we reserve all rights (acc. DIN ISO 16016)		Engineering Base 6.9.1	Type 7437	Dept. DS	No. of Sh.27	Sheet 18
										Hako		Hako GmbH		D-23840 Bad Oldesloe		

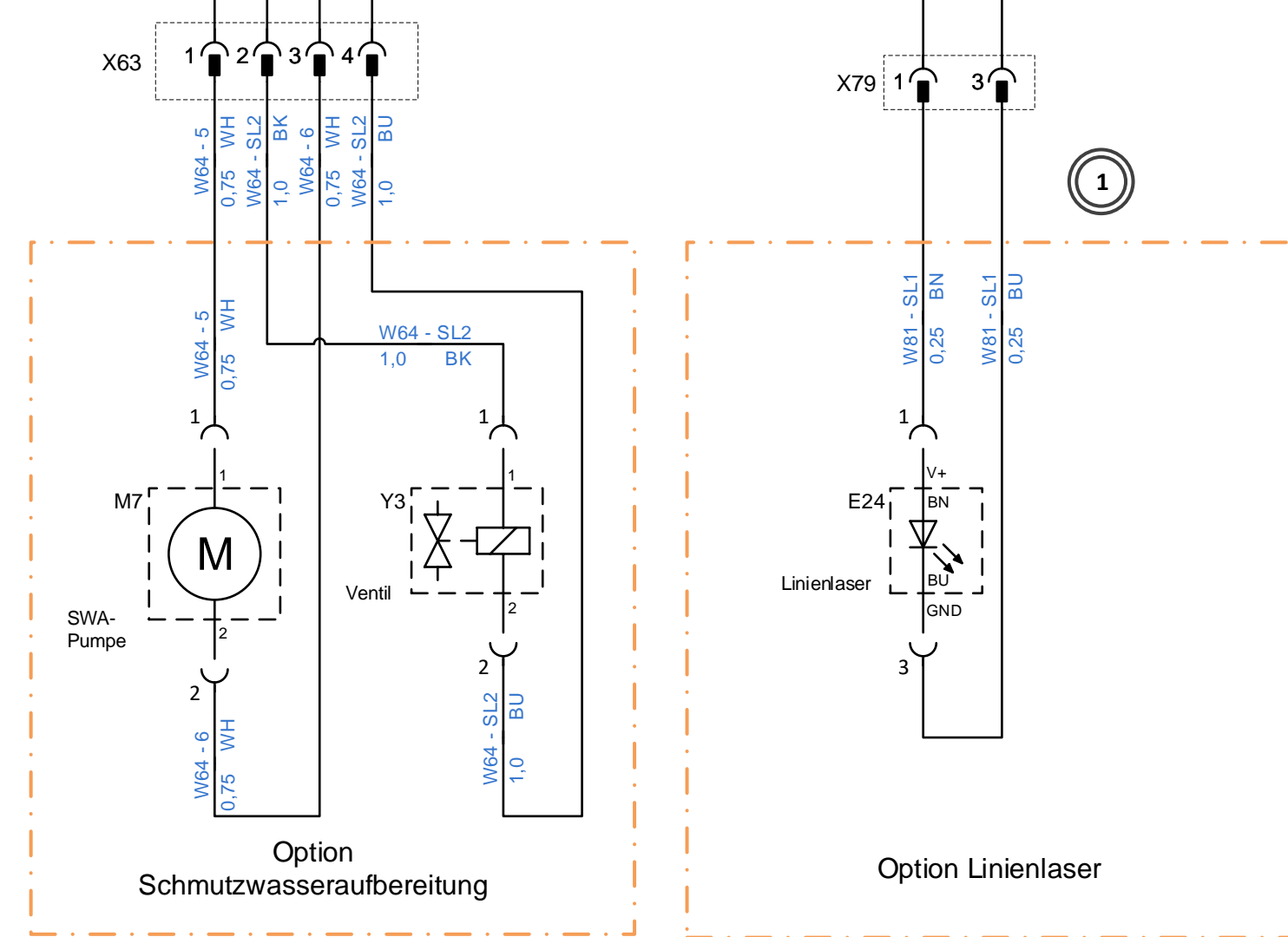
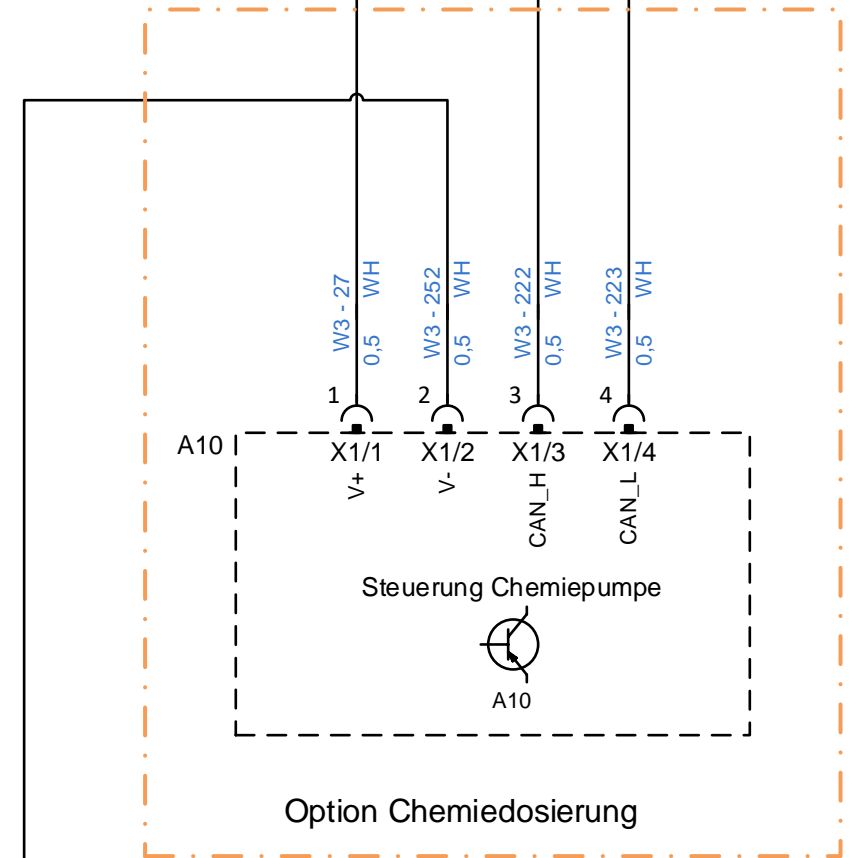
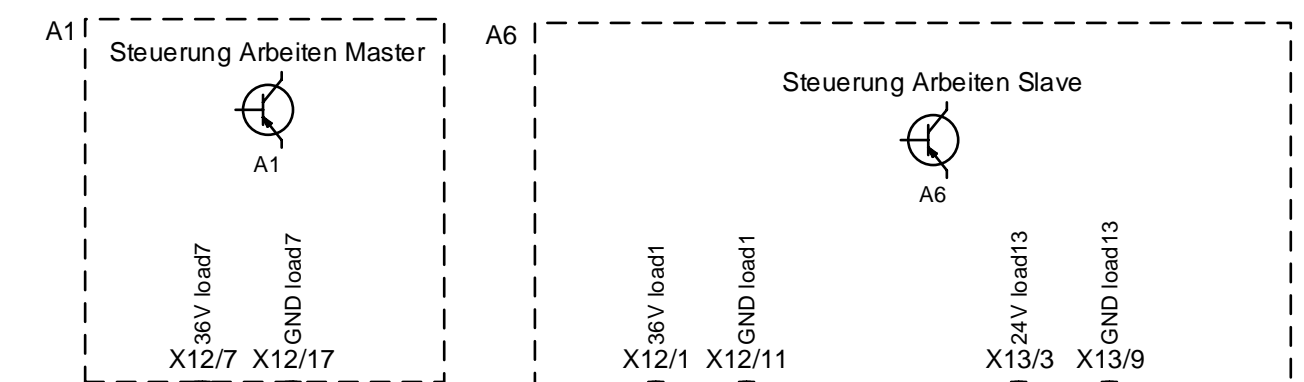
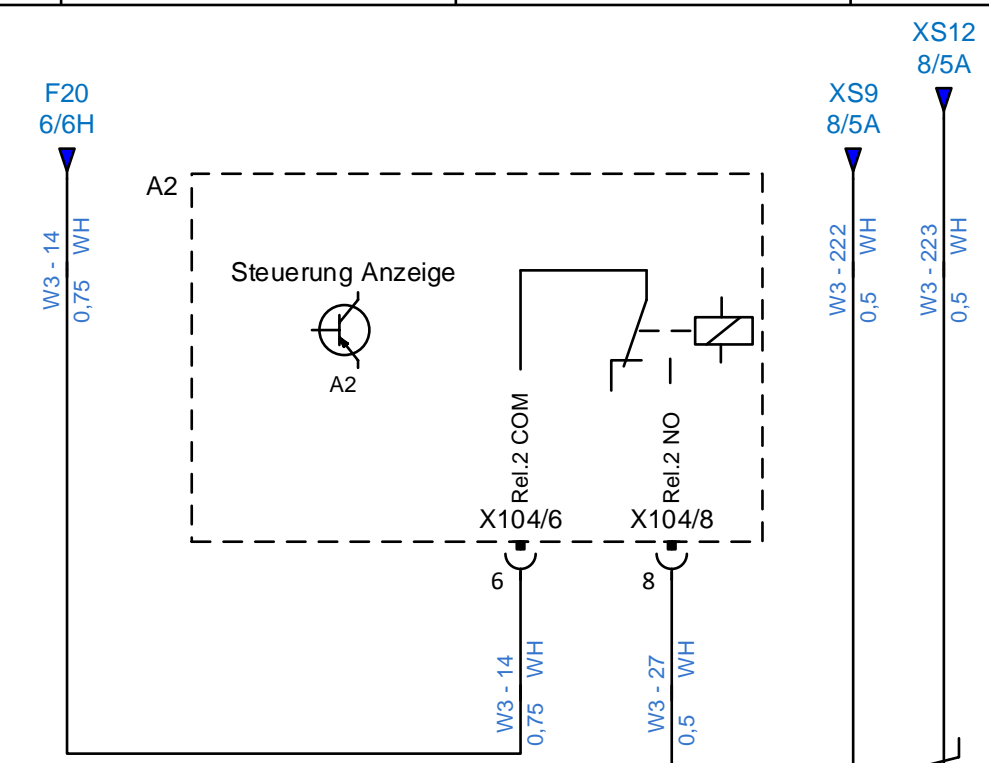
Legende

- A1 Steuerung Arbeiten Master
controller working master
- A20 Fleetrekorder
fleetrecorder
- B20 I-Button reader
I-Button reader
- K29 Relais Pumpe HDR
relays high pressure pump
- M29 Hochdruckpumpe
high pressure pump
- R29 widerstand R1k
resistor 1k
- R102 widerstand 2,7kΩ
resistor 2,7kΩ
- S29 Taster HDR EIN
switch HDR on
- W3/XS22 ussp
ussp
- X68 Mini-Fit Jr. 10-pol. w68-w3
Mini-Fit Jr. 10-pol. w68-w3




Freigabevermerk:		3	*/*	4315-77	05.07.2021	Ri	Date	Name	B400 R	Name	Drawing Number		A2
		No.	Number appears	Change No.	Date	Name	Std.		Replacement for	Schaltplan B400 R / circuit diagram B400 R		91040360	
									3050-27	For this drawing we reserve all rights (acc. DIN ISO 16016)		Engineering Base 6.9.1	No. of Sh.27
										Type 7437 Dept. DS		Sheet 19	

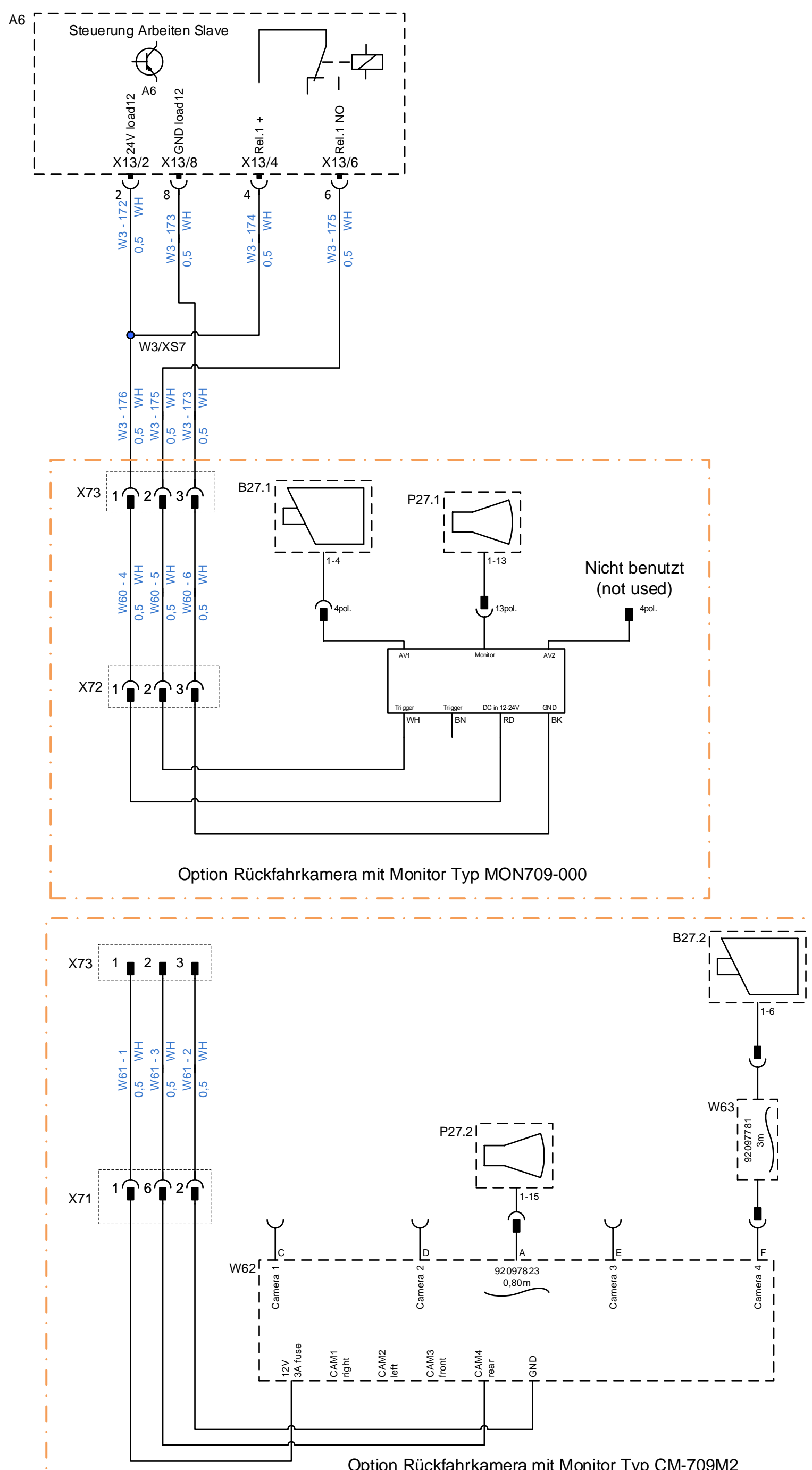
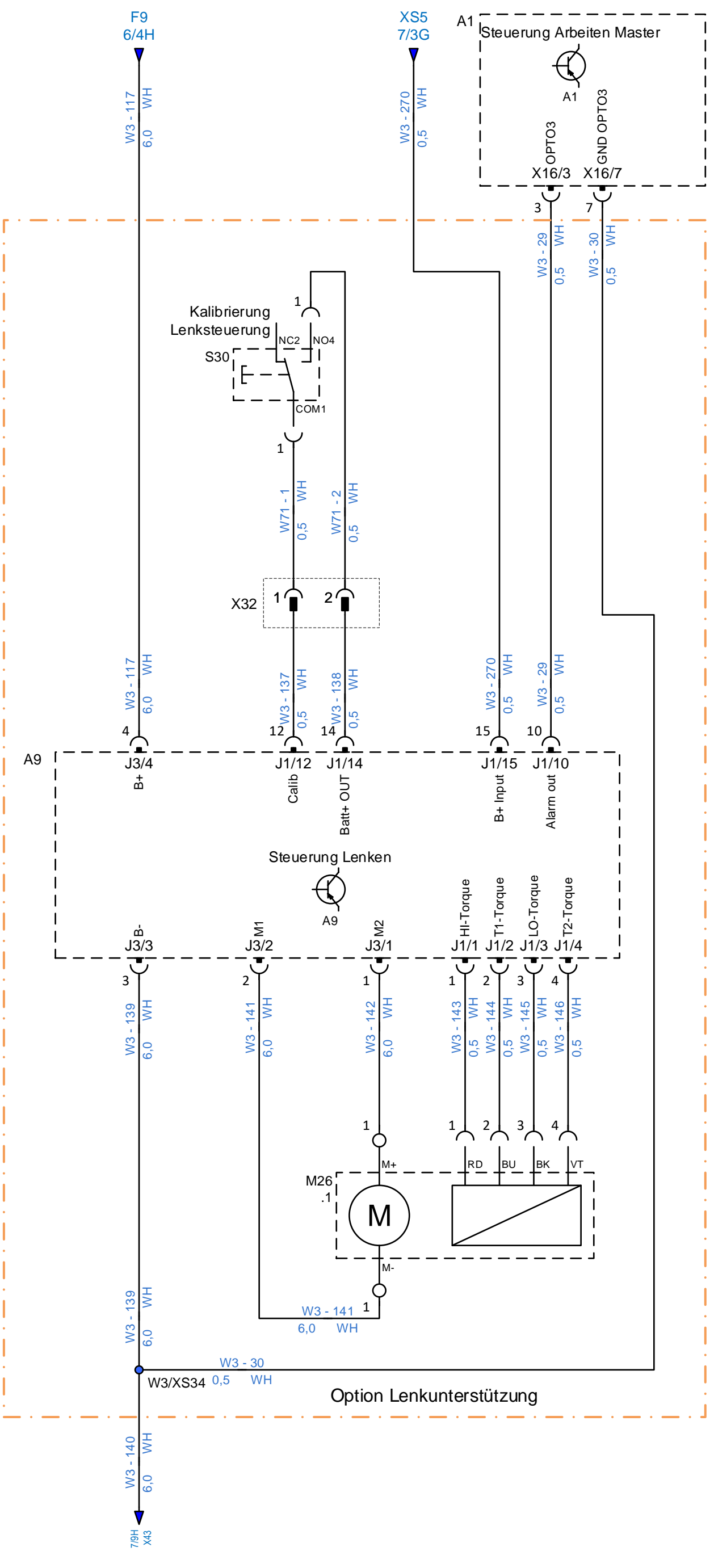




Legende

A1	Steuerung Arbeiten Master controller working master
A2	Steuerung Anzeige controller display
A6	Steuerung Arbeiten Slave controller working slave
A10	Steuerung Chemiepumpe controller chemical pump
E24	Laser 10-30V Laser 10-30V
M7	Wasserrecyclingpumpe water recycling pump
X63	Mini Fit Jr. 4-pol. w64-w3 Mini Fit Jr. 4-pol. w64-w3
X79	Trennstelle 4-pol. w81-w3 Trennstelle 4-pol. w81-w3
Y3	Ventil wasserrecycling valve waterrecycling

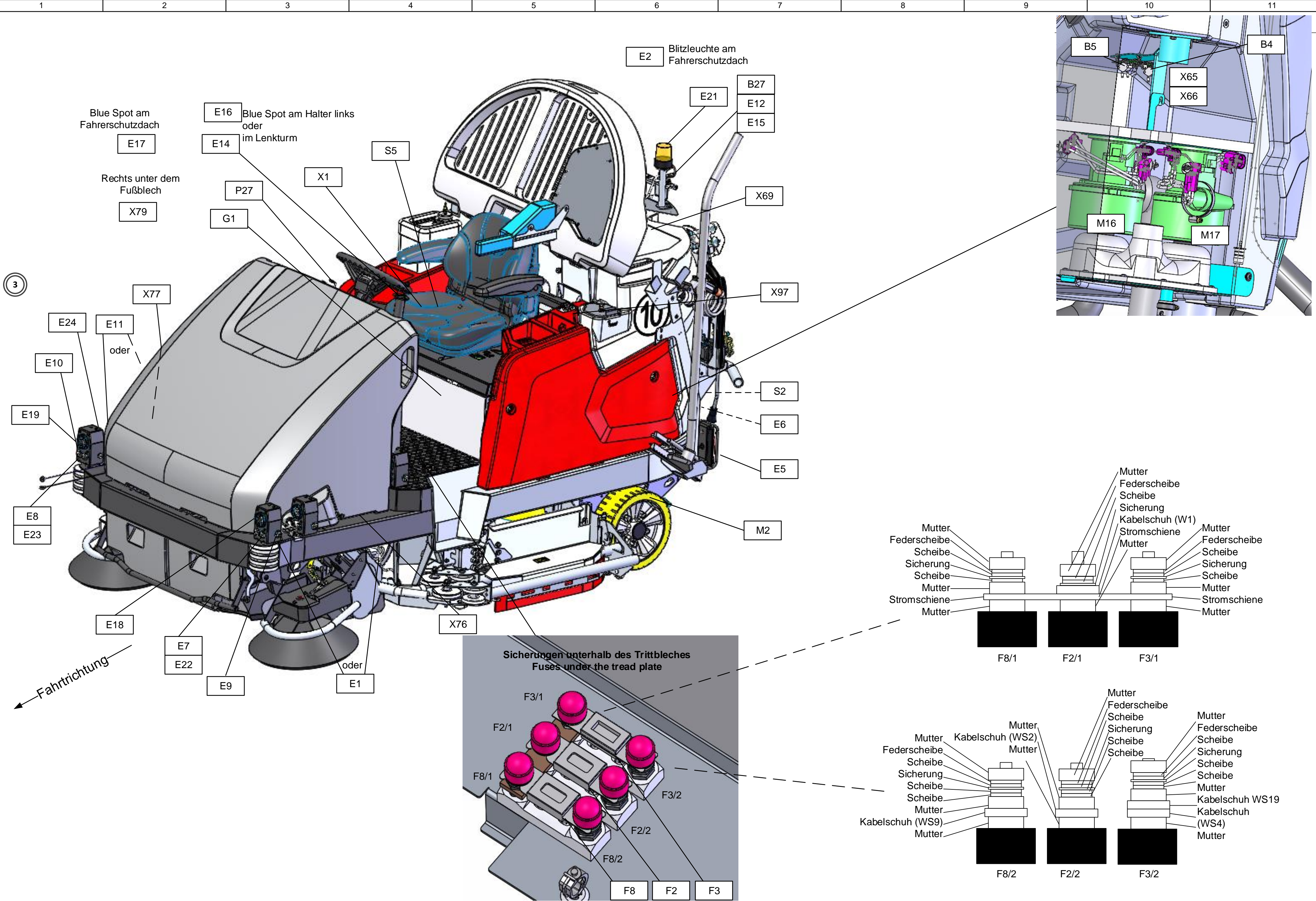
Freigabevermerk:		3	1 x	4315-77	05.07.2021	Ri	Date	Name	B400 R	Name	Schaltplan B400 R / circuit diagram B400 R		 Hako GmbH D-23840 Bad Odesloe		Drawing Number	A2
No.	Number appears	Change No.	Date	Name	Std.	Drawn	15.03.2018	Ri	Replacement for	For this drawing we reserve all rights (acc. DIN ISO 16016)		Engineering Base 6.9.1	Type 7437	Dept. DS	No. of Sh. 27	Sheet 20
										3050-27						



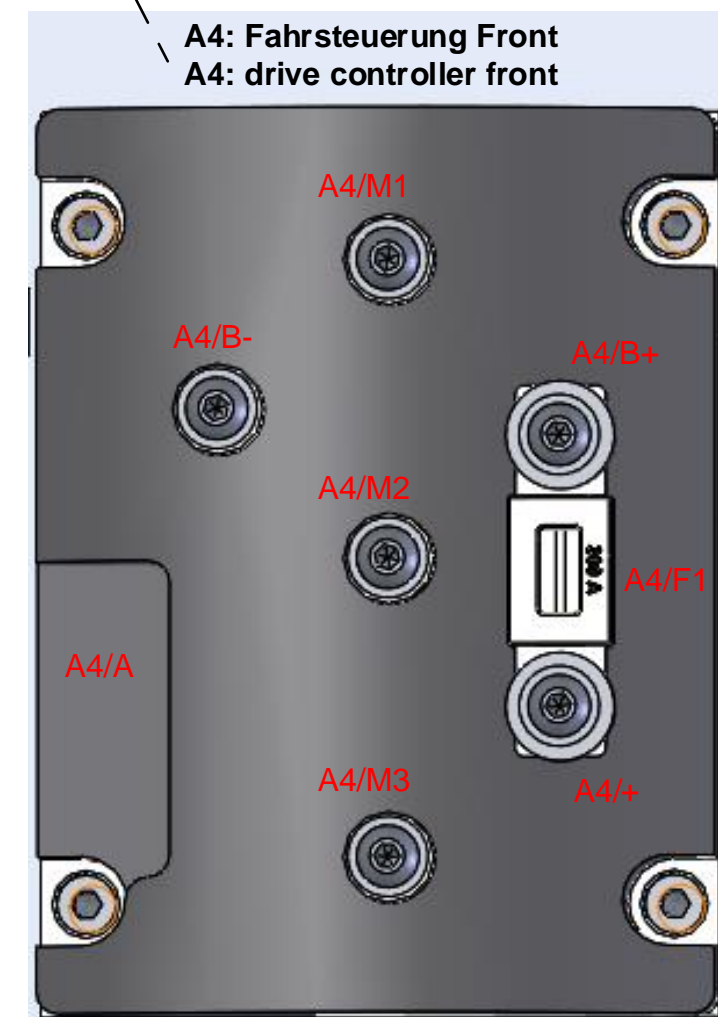
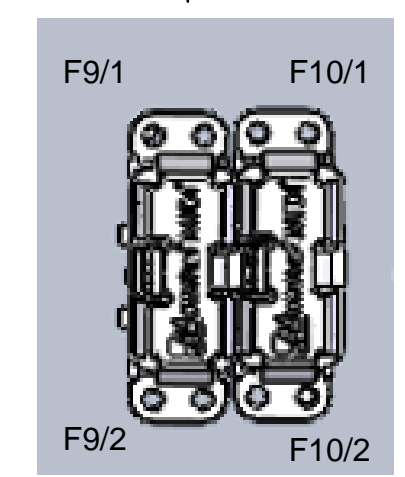
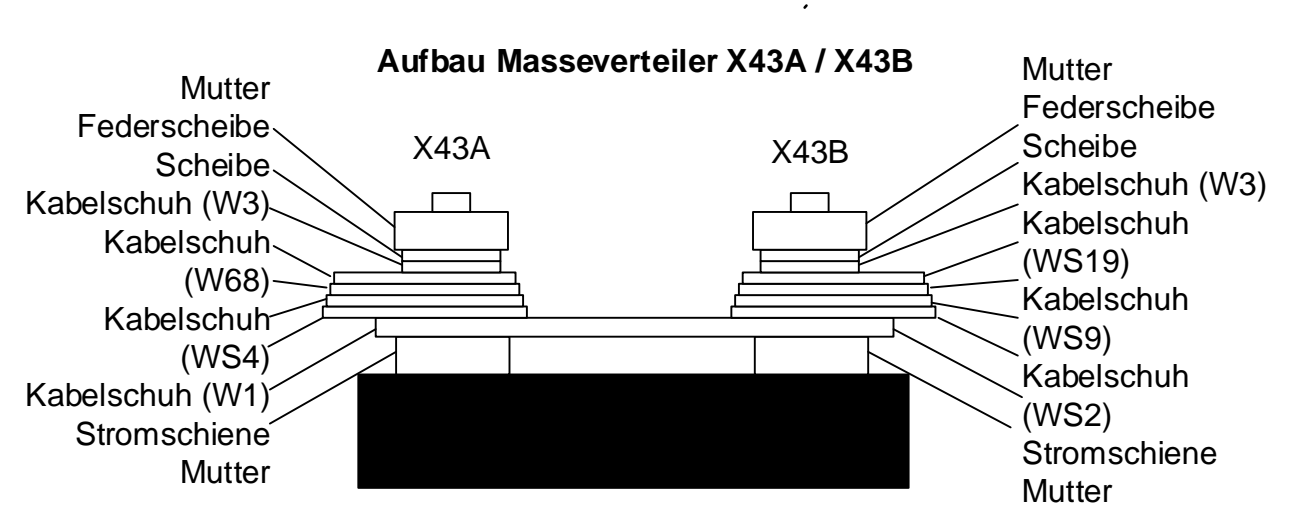
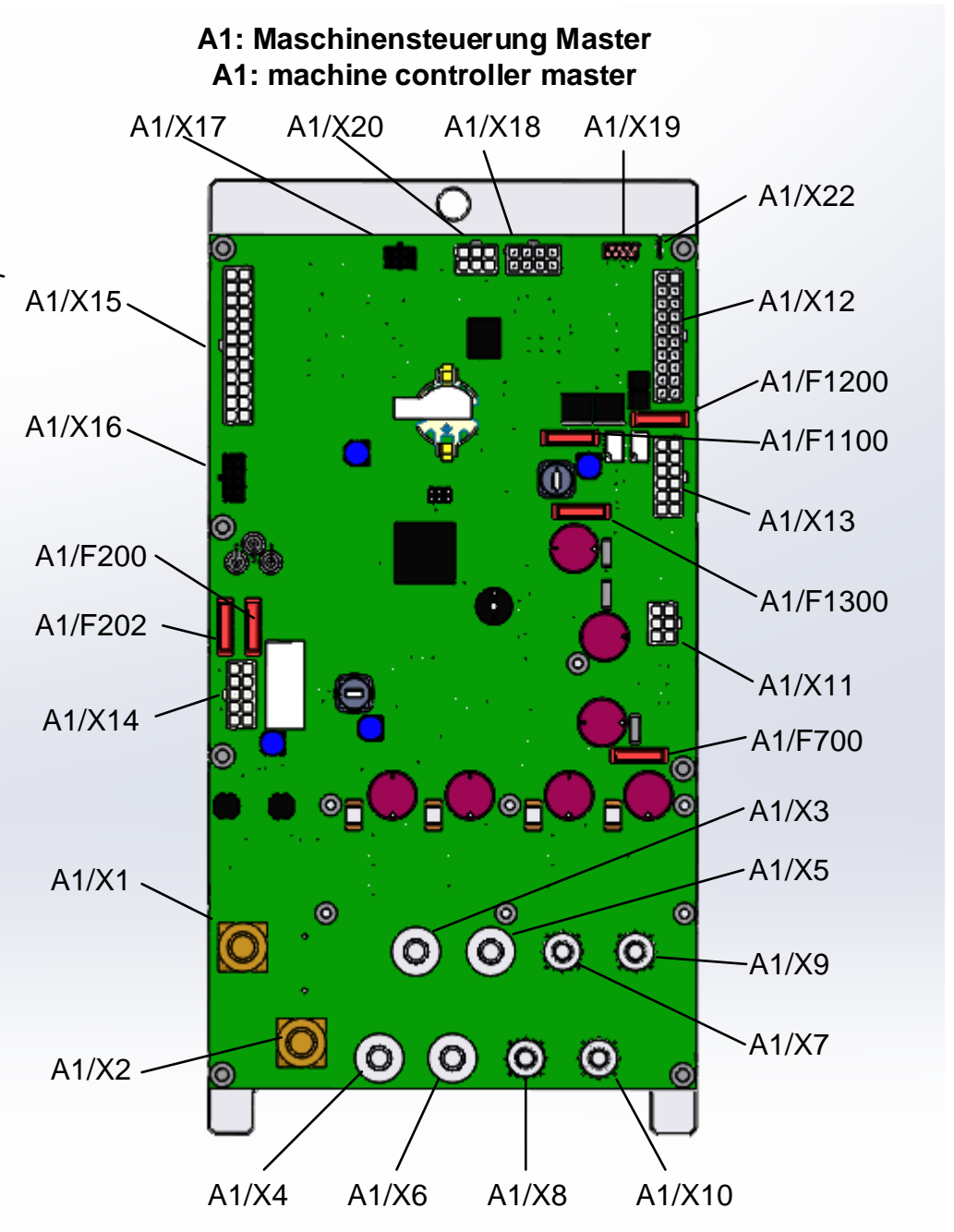
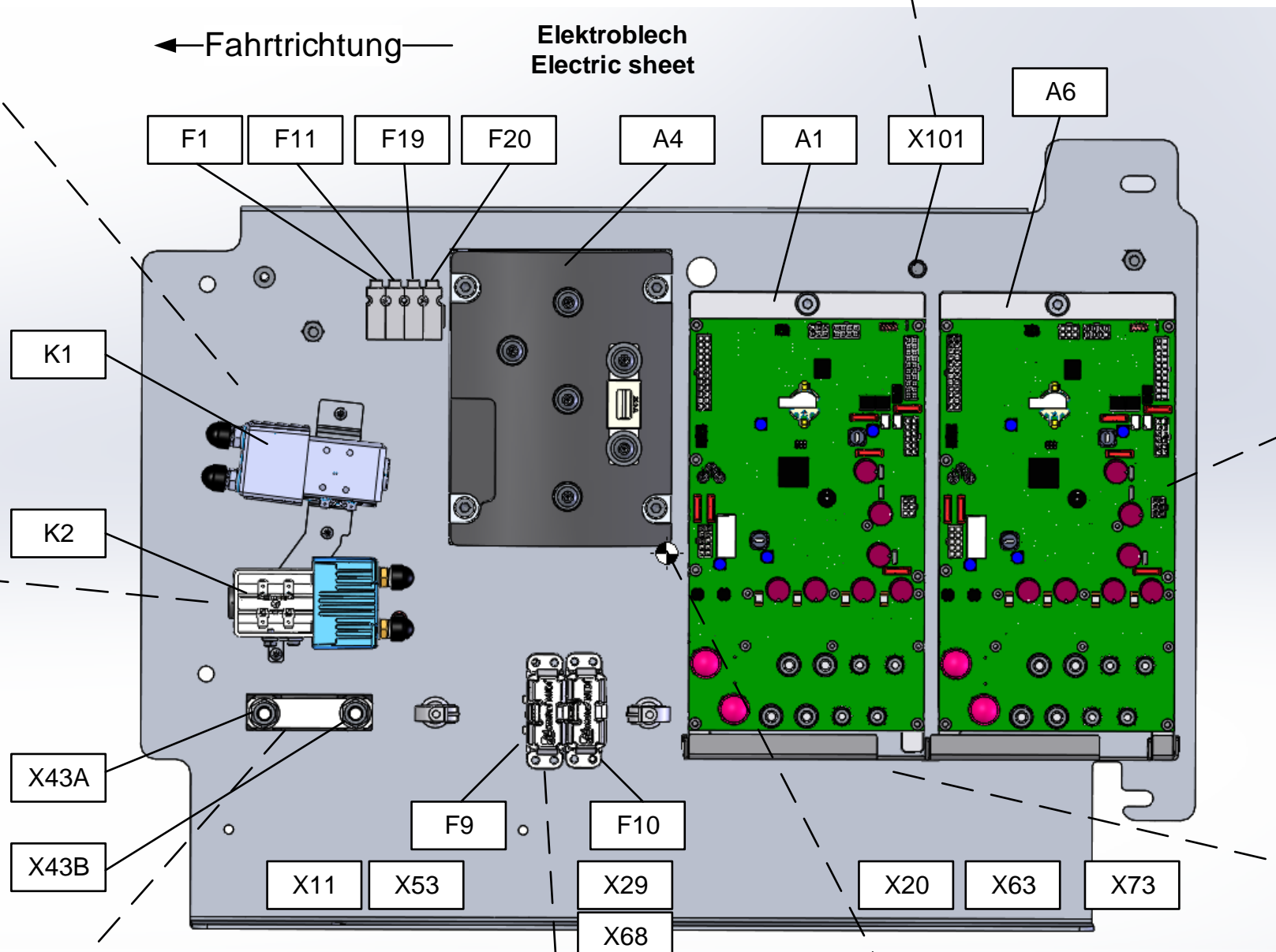
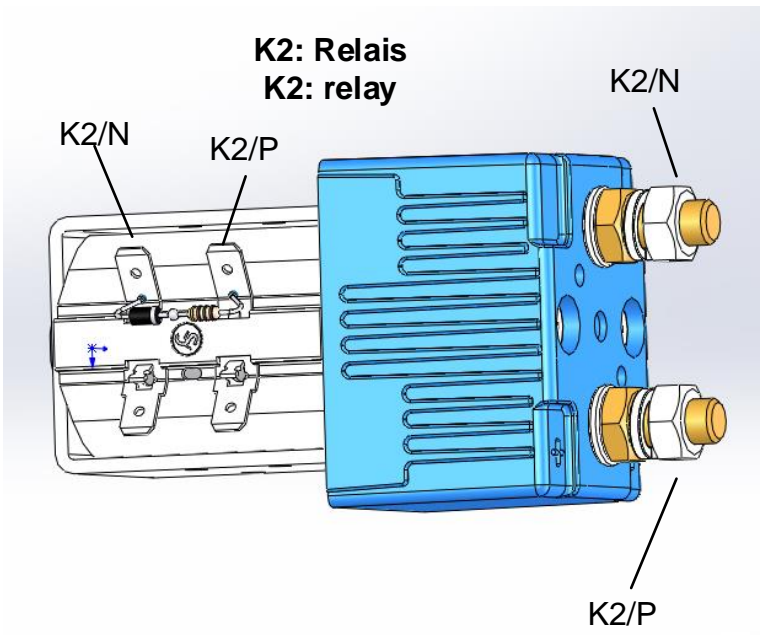
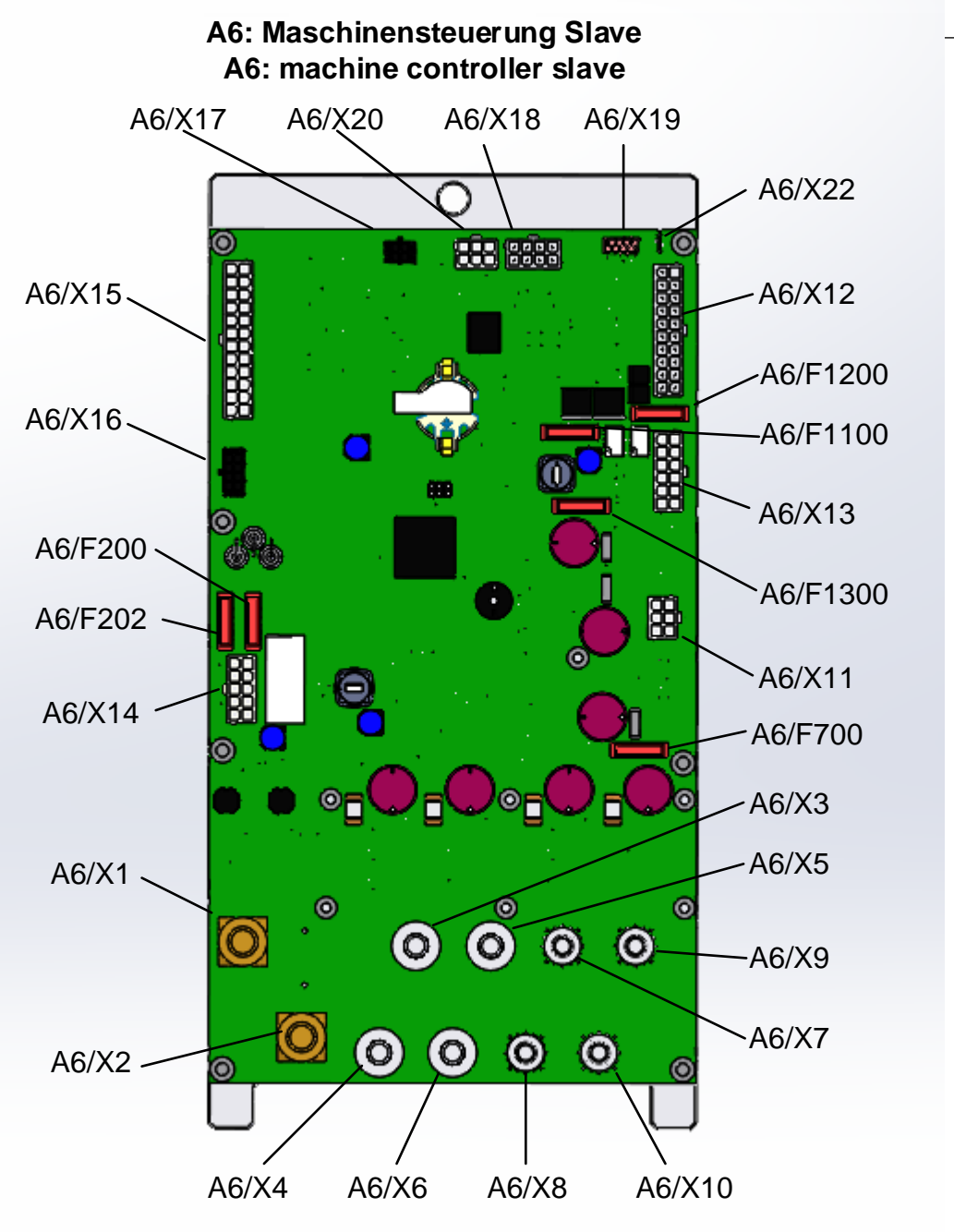
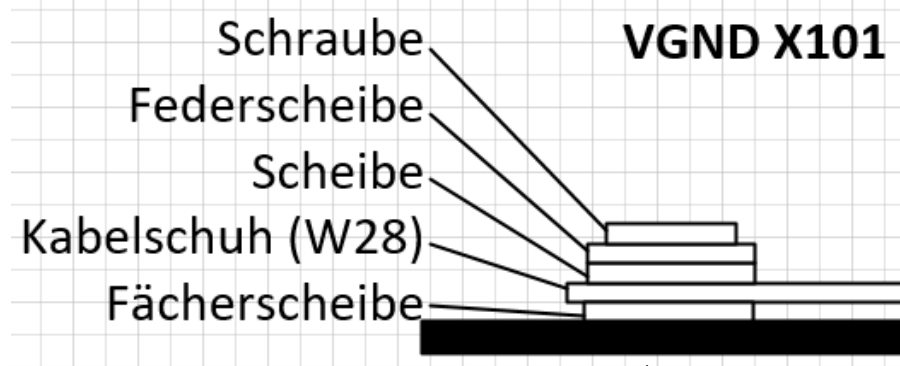
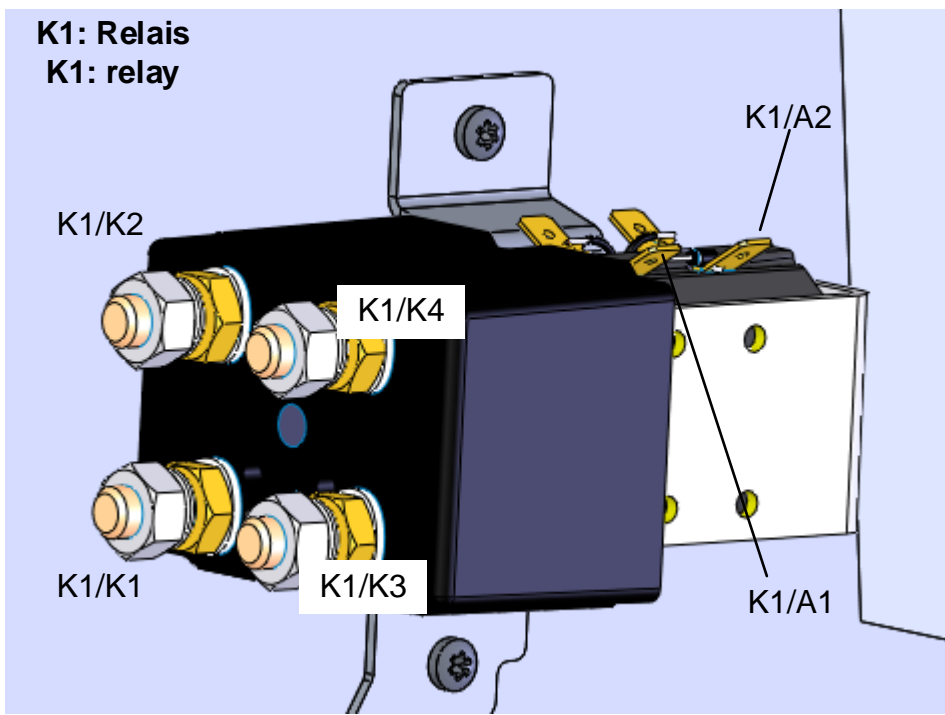
Legende

A1	Steuerung Arbeiten Master controller working master
A6	Steuerung Arbeiten Slave controller working slave
A9	Steuerung Lenken controller steering
B27.1	Kamera camera
B27.2	Kamera camera
M26	Lenkmotor steering motor
P27.1	Monitor display
P27.2	Monitor display
S30	Kalibriertaster calibration switch
W3/XS7	USSP ussp
W3/XS34	USSP ussp
W62	Monitorkabel 0,80m cable monitor 0,80m
W63	Kamerakabel-6pol. 3m cable camera 6pol. 3m
X32	Mini-Fit Jr. 2-pol. w3-w71 Mini-Fit Jr. 2-pol. w3-w71
X71	Mini Fit Jr 8-pol.-w61 Mini Fit Jr 8-pol.-w61
X72	6.3 Fastin Faston 3-pol.-w60 6.3 Fastin Faston 3-pol.-w60
X73	6.3 Fastin Faston 3-pol. w61 6.3 Fastin Faston 3-pol. w61

Freigabevermerk:		3	*/*	4315-77	05.07.2021	Ri	Date	Name	B400 R	Name	Schaltplan B400 R / circuit diagram B400 R		Drawing Number		A2	
		No.	Number appears	Change No.	Date	Name	Std.		Replacement for	For this drawing we reserve all rights (acc. DIN ISO 16016)		Engineering Base 6.9.1	Type 7437	Dept. DS	No. of Sh. 27	Sheet 21
								3050-27				Hako Hako GmbH D-23840 Bad Oldesloe		91040360		



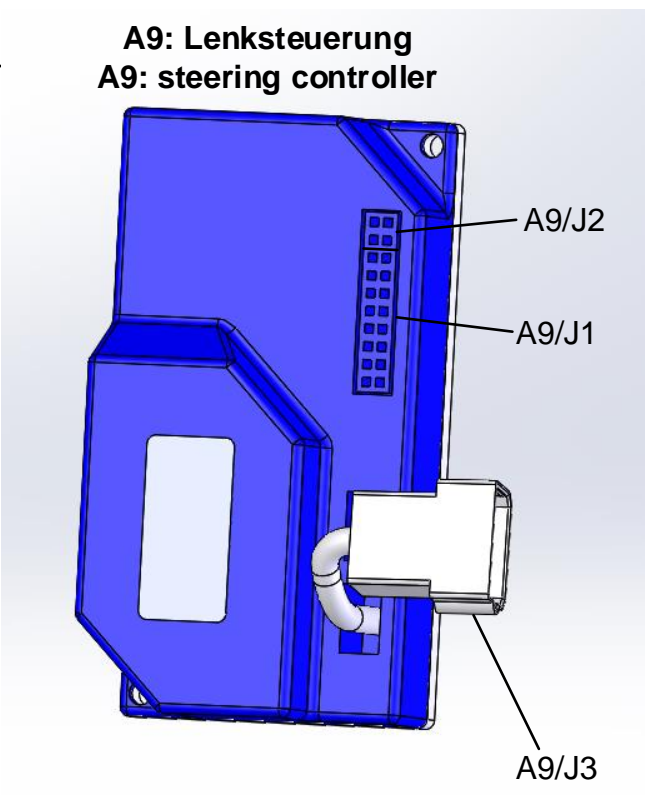
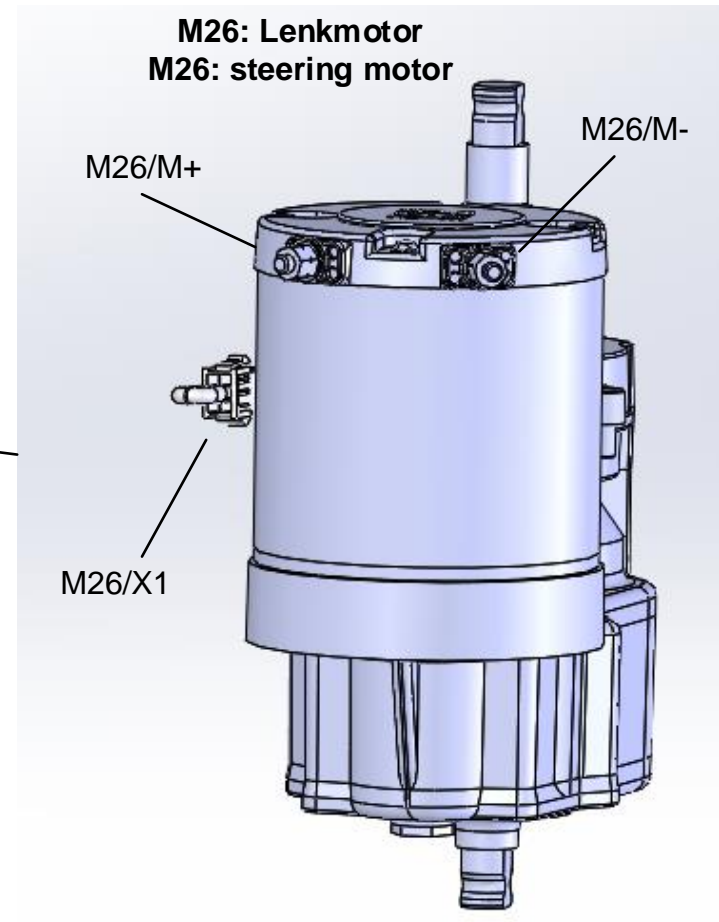
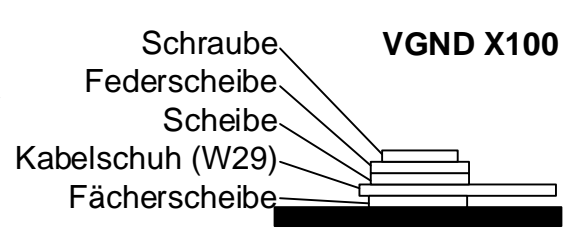
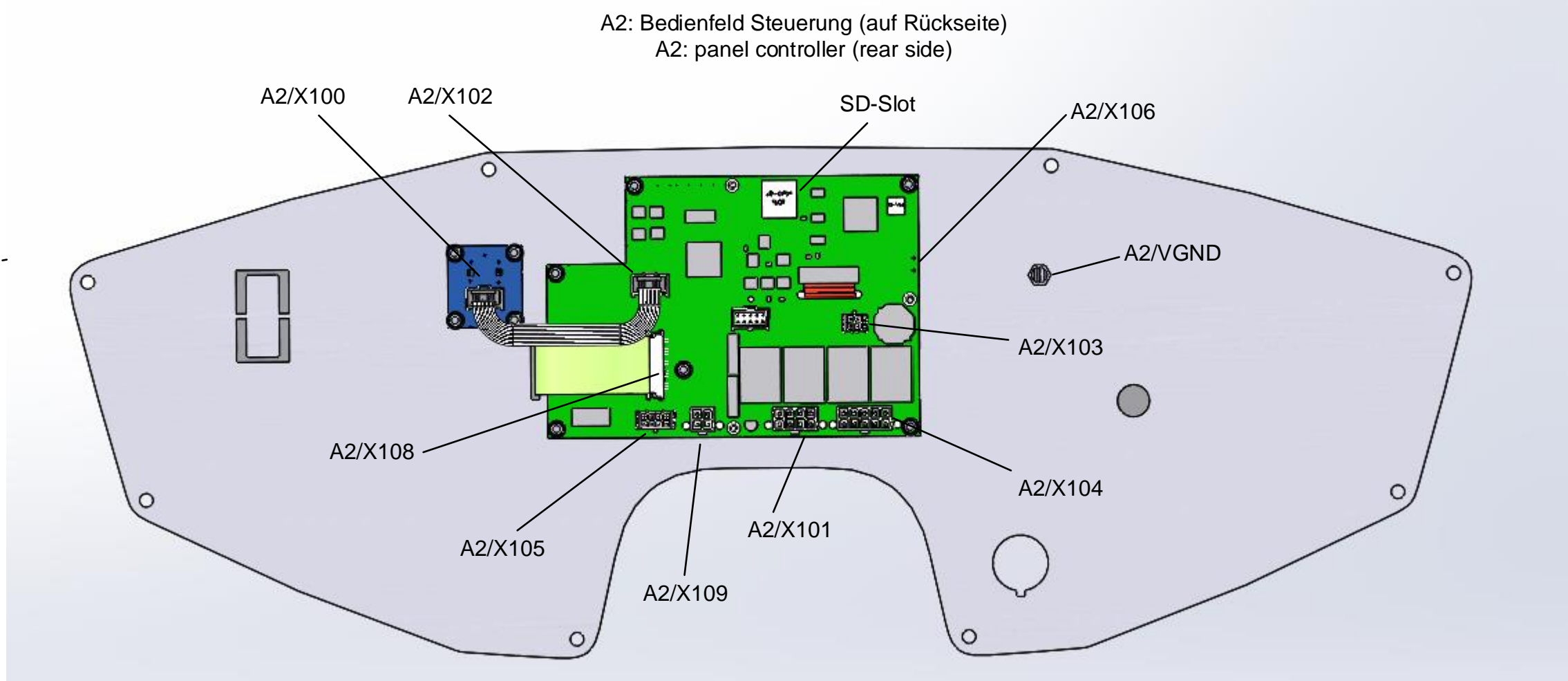
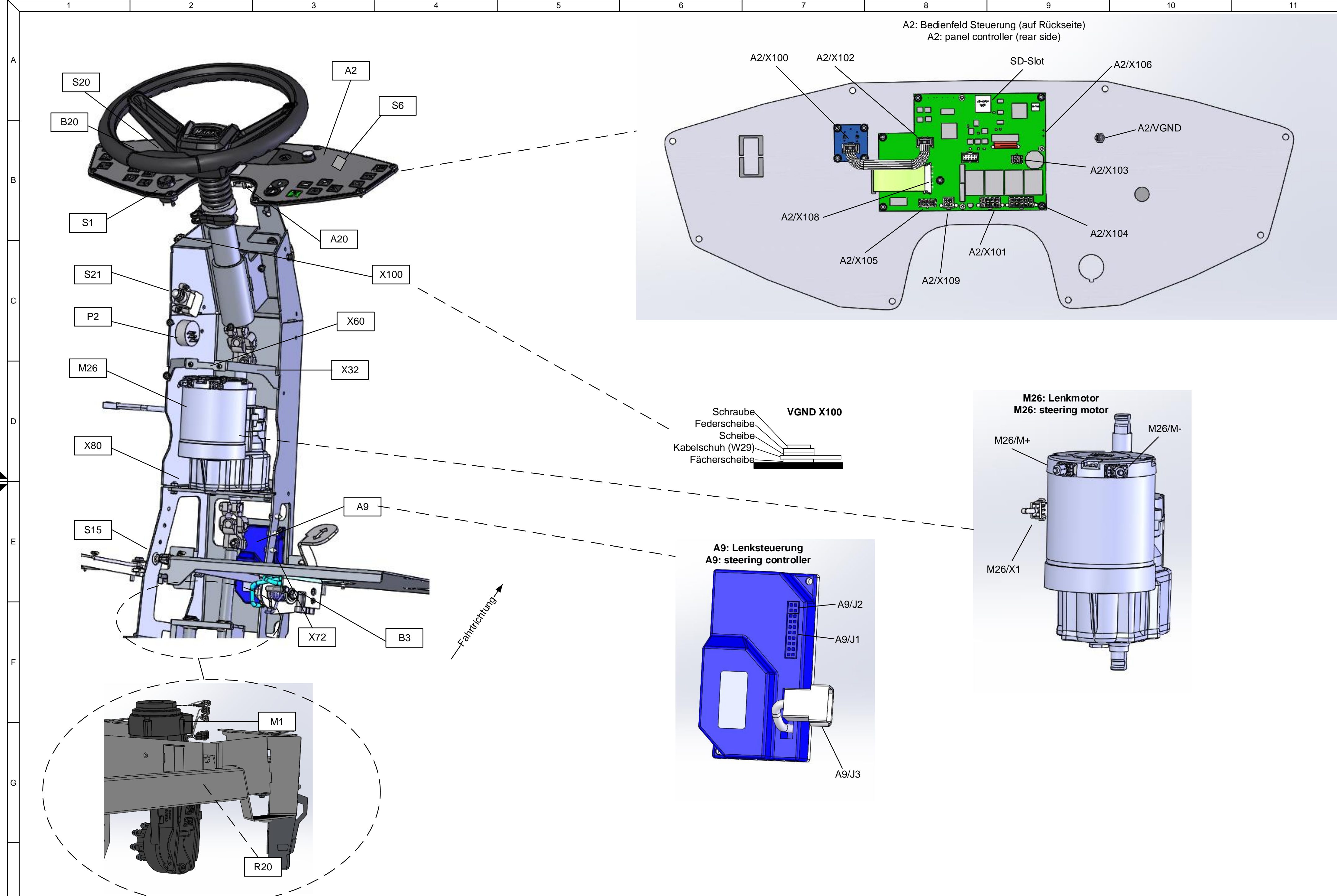
Freigabevermerk:		3	1 x	4315-77	05.07.2021	Ri	Date	Name	B400 R	Name	Hako		Drawing Number	A2
						Drawn	11.12.2019	Ri	Replacement for	Schaltplan B400 R / circuit diagram B400 R		Hako GmbH	91040360	
		No.	Number appears	Change No.	Date	Name	Std.		3050-27	For this drawing we reserve all rights (acc. DIN ISO 16016)		Engineering Base 6.9.1	No. of Sh. 27	Sheet 22
										Type 7437		Dept. DS		



Freigabevermerk:		3	*/	4315-77	05.07.2021	Ri	Date	Name	B400 R	Name	Drawing Number		A2
		No.	Number appears	Change No.	Date	Name	Std.	Drawn	15.03.2018	Ri	91040360		
								Verified			No. of Sh. 27		Sheet 23
									3050-27	For this drawing we reserve all rights (acc. DIN ISO 16016)		Engineering Base 6.9.1	
										Type 7437		Dept. DS	

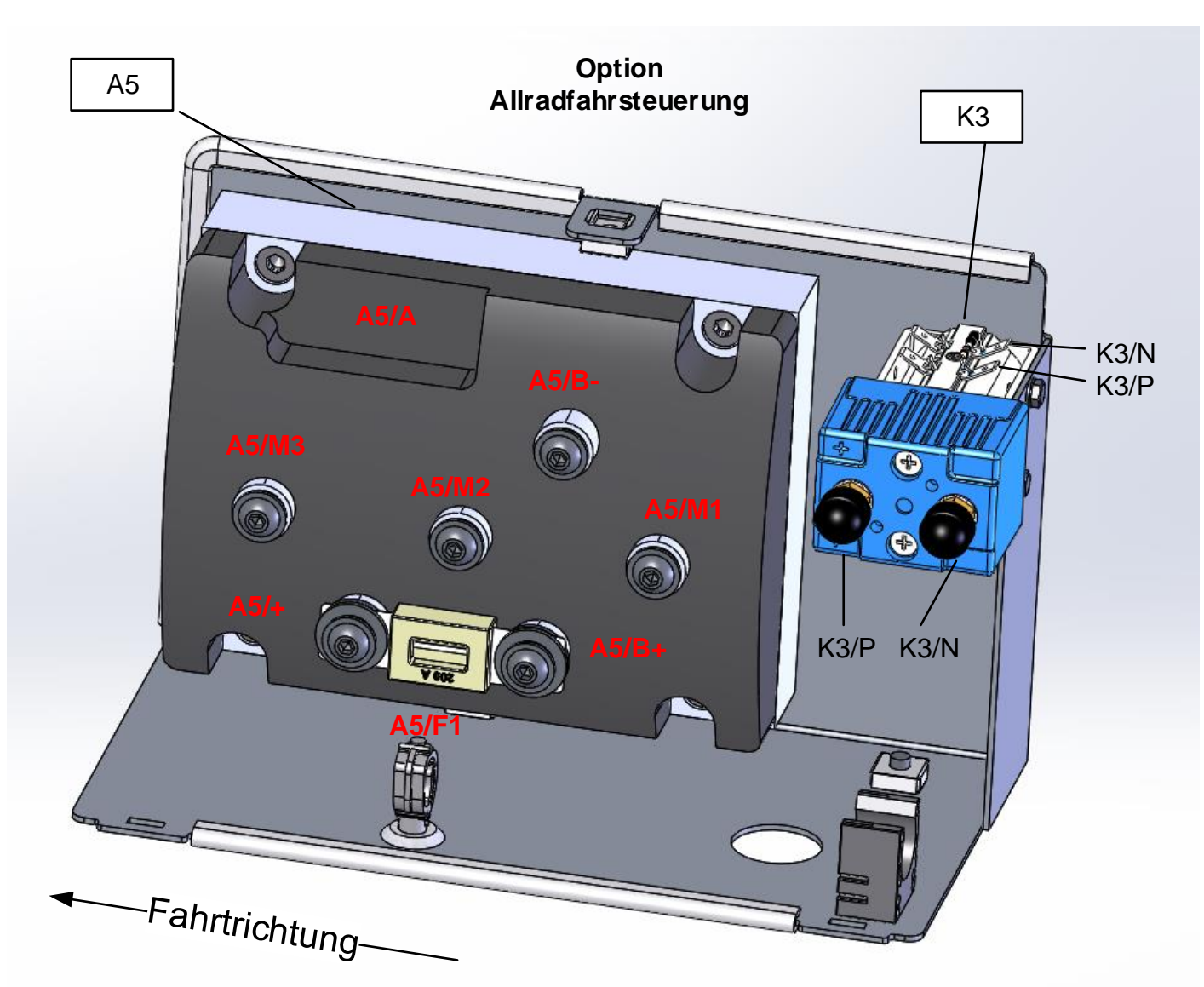
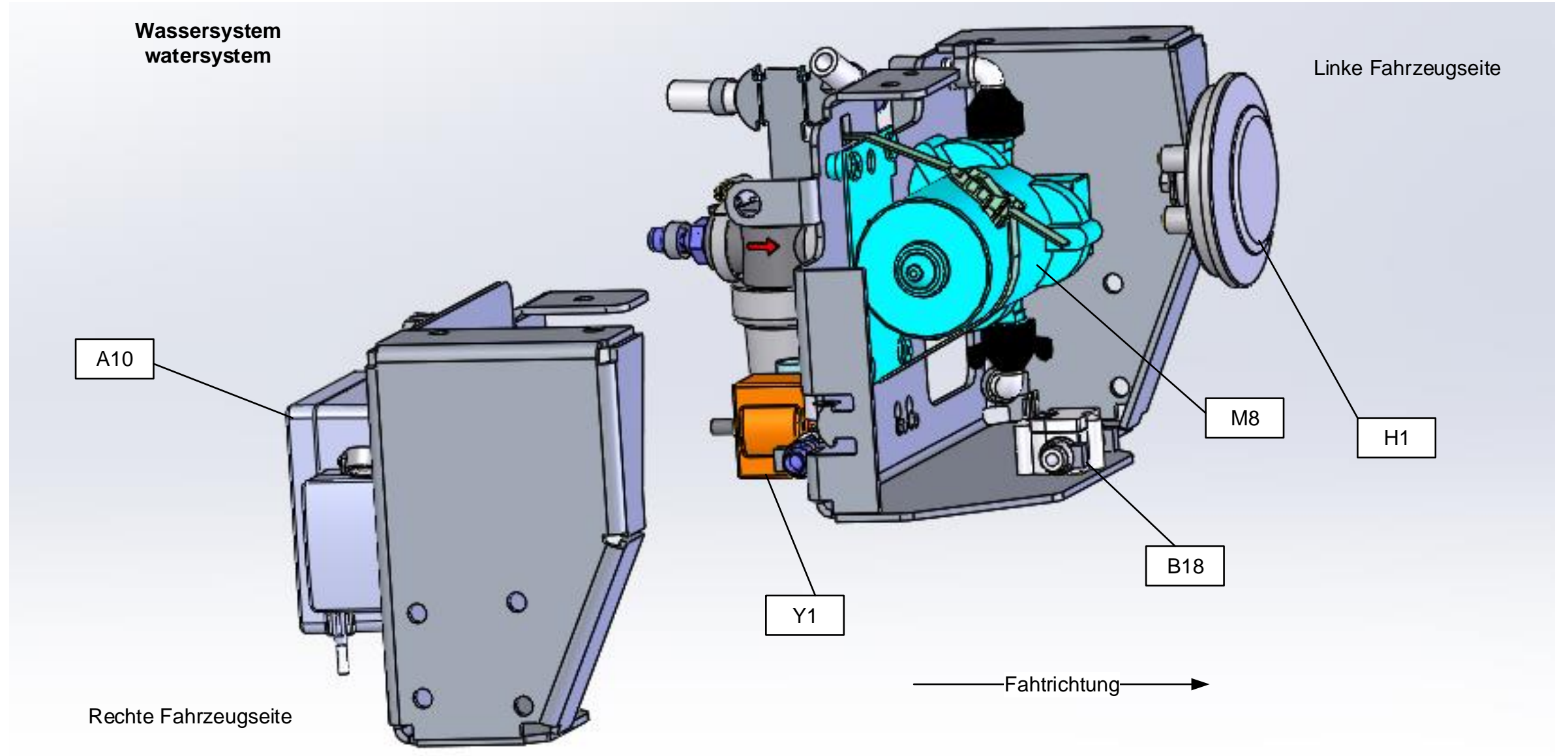
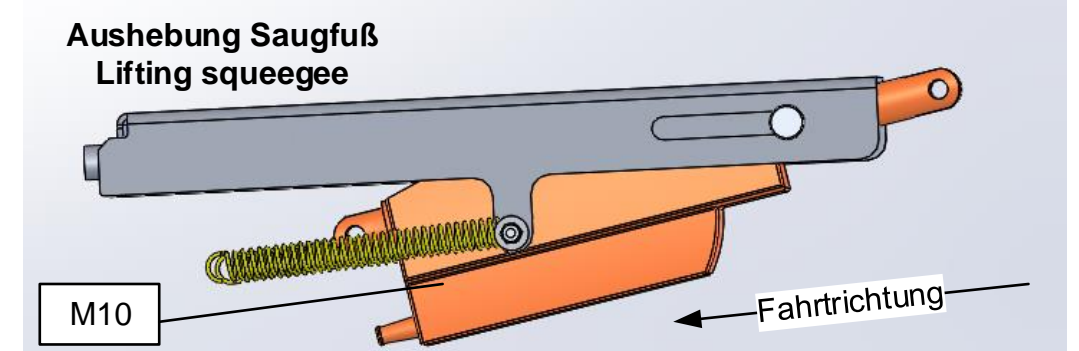
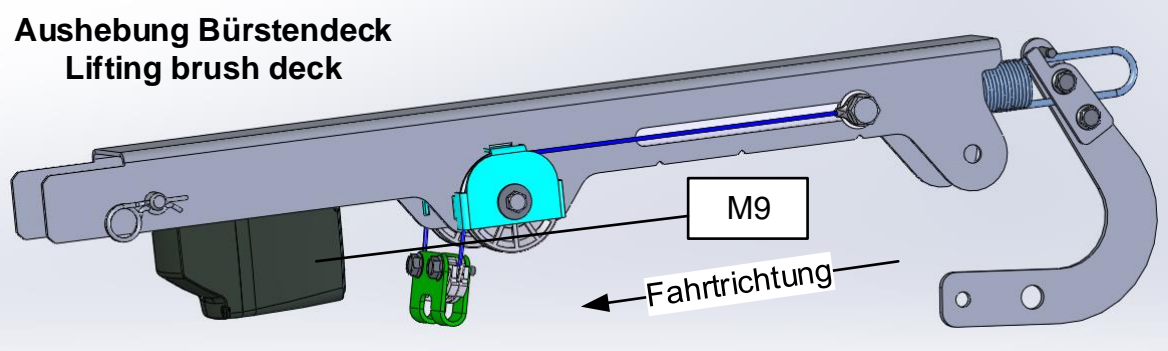
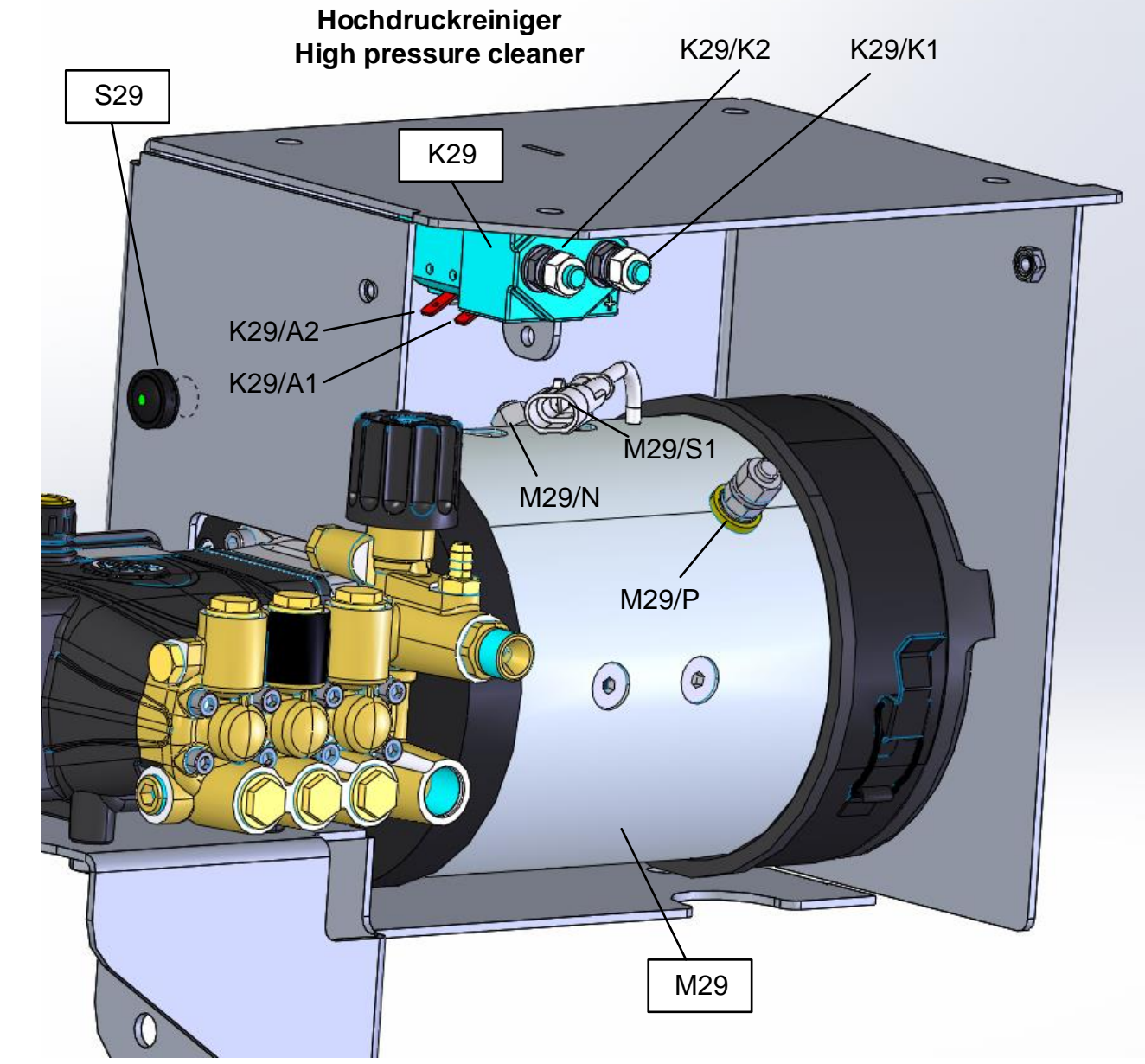
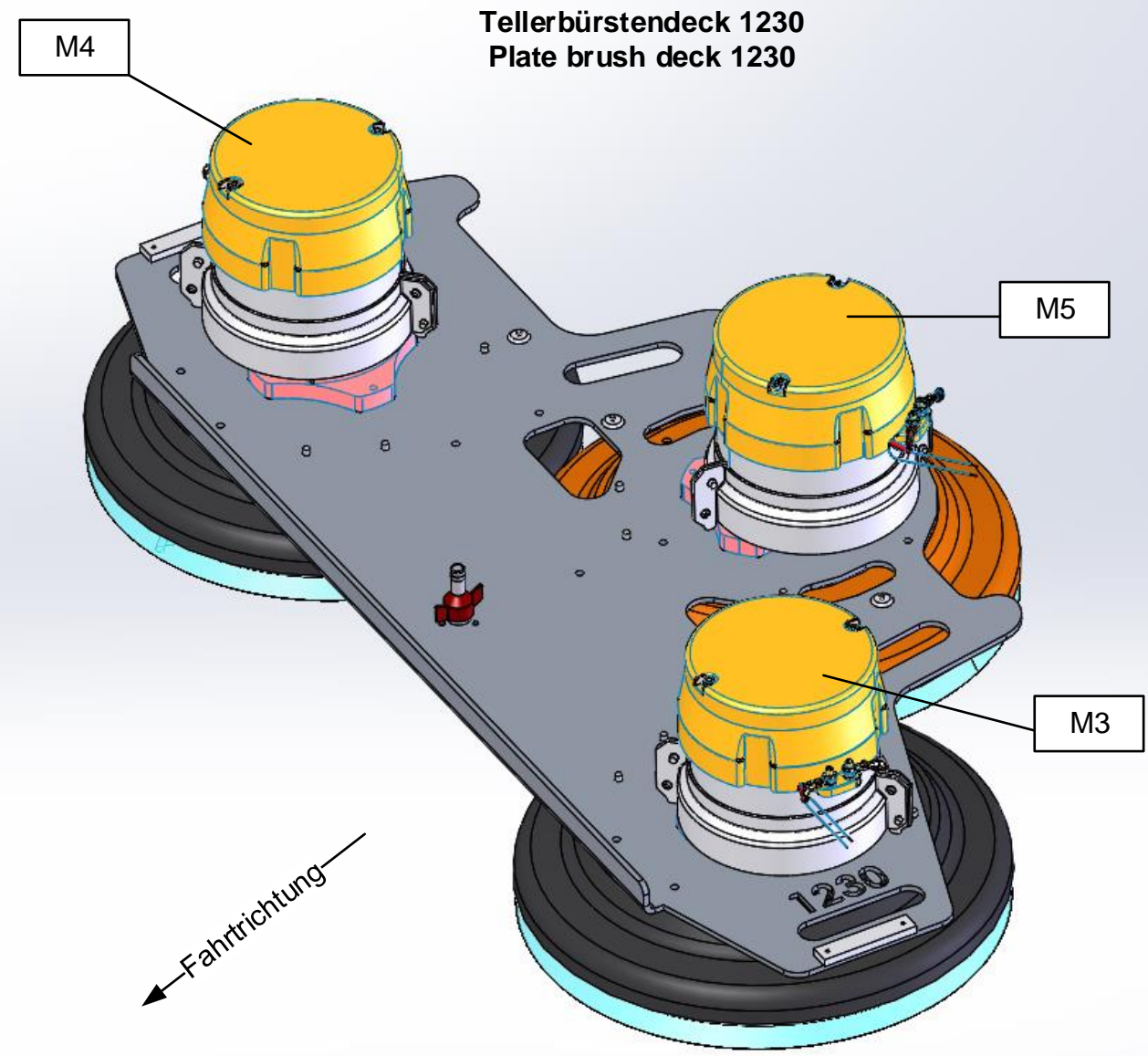
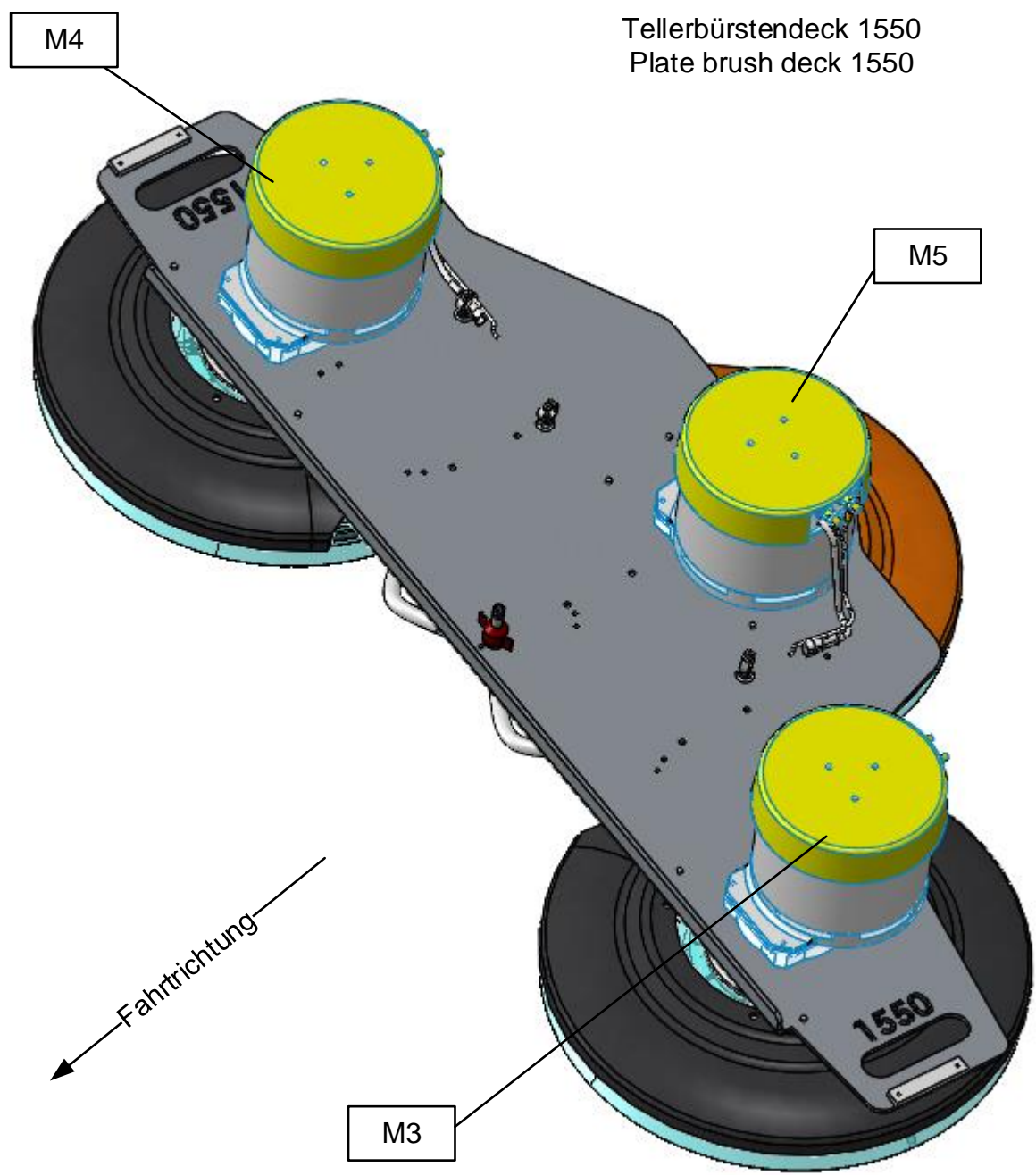


Hako GmbH
D-23840 Bad Olsdesloe



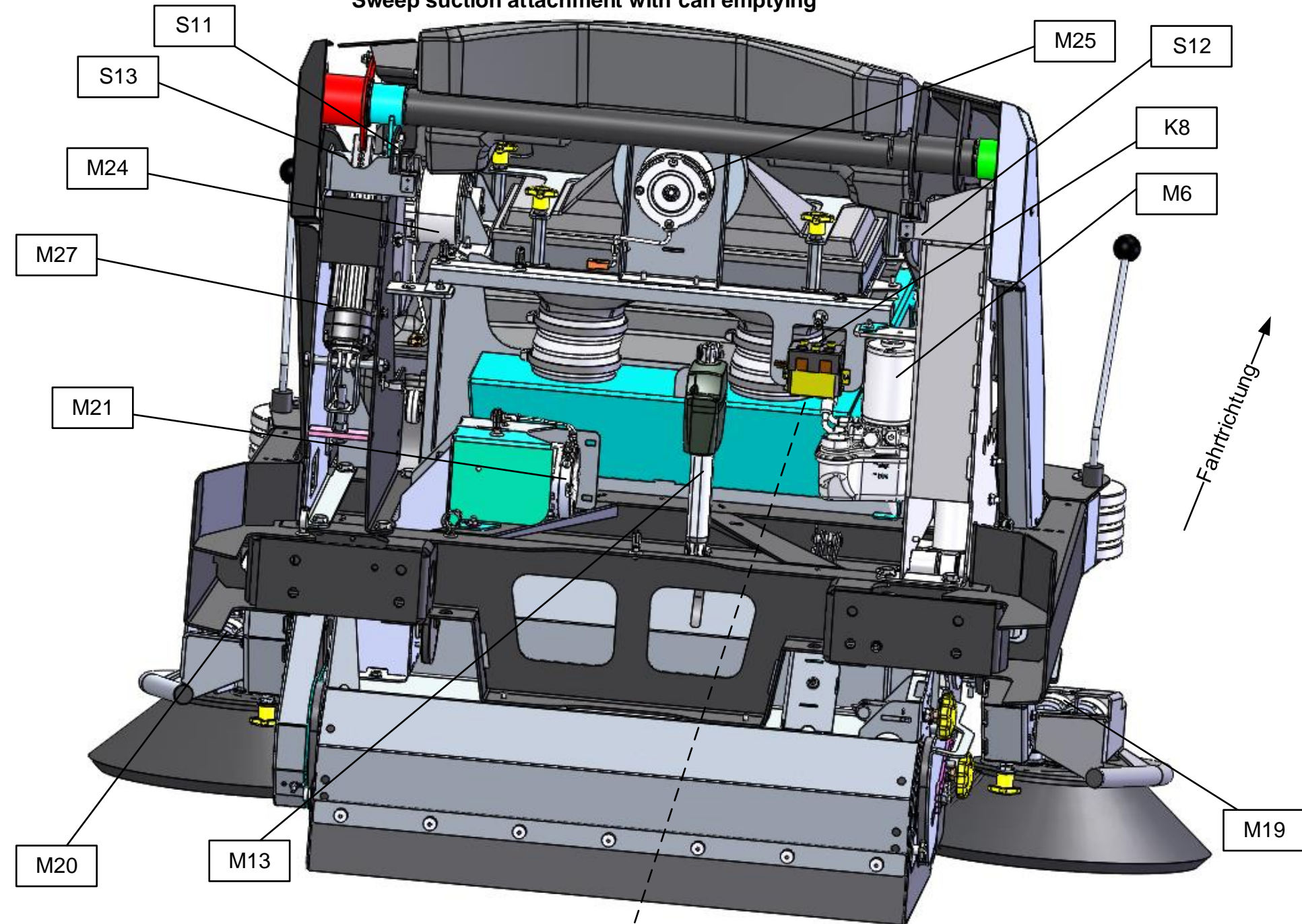
Fahrtrichtung →

Freigabevermerk:		3	*/	4315-77	05.07.2021	Ri	Drawn	15.03.2018	Ri	B400 R		Name		Schaltplan B400 R / circuit diagram B400 R		 Hako GmbH D-23840 Bad Oldesloe		Drawing Number		A2
No.	Number appears	Change No.	Date	Name	Std.		Verified			3050-27	For this drawing we reserve all rights (acc. DIN ISO 16016)		Engineering Base 6.9.1	Type 7437	Dept. DS	No. of Sh. 27	Sheet 24			

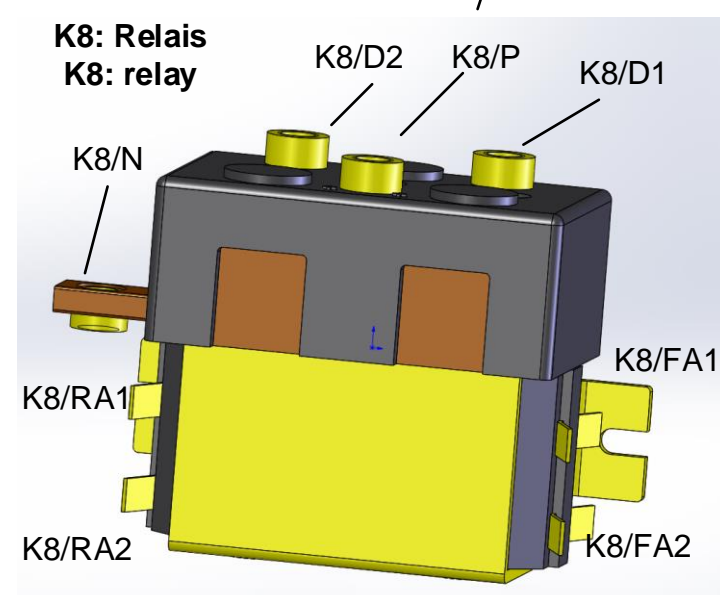
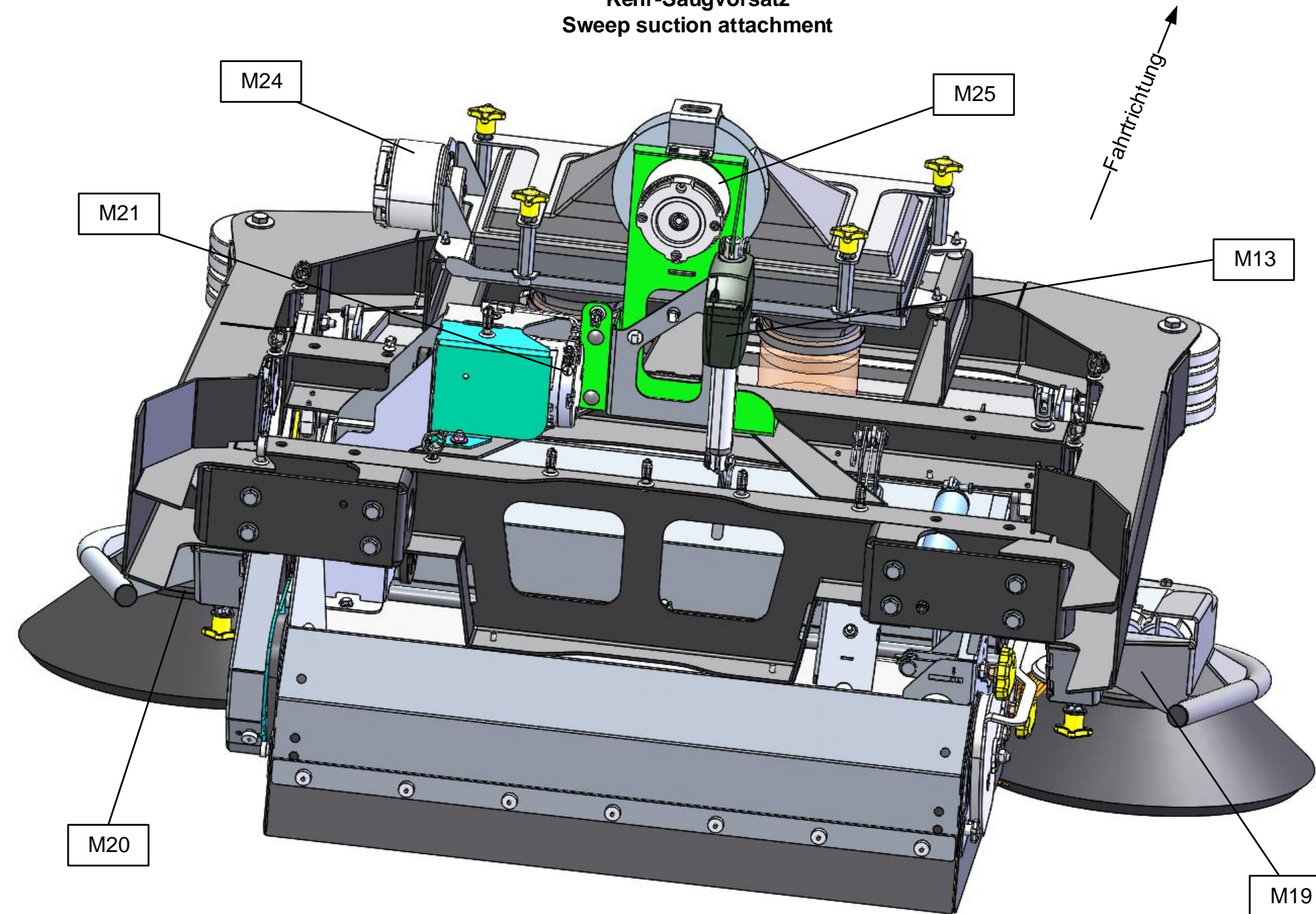


Freigabevermerk:		3	*/	4315-77	05.07.2021	Ri	Date	Name	B400 R	Name	Hako		Drawing Number	A2
							Drawn	08.11.2019	Ri	Schaltplan B400 R / circuit diagram B400 R		Hako GmbH	91040360	
							Verified			For this drawing we reserve all rights (acc. DIN ISO 16016)		D-23840 Bad Odesloe	No. of Sh. 27	Sheet 25
No.	Number appears	Change No.	Date	Name	Std.				3050-27	Engineering Base 6.9.1	Type 7437	Dept. DS		

Kehr-Saugvorsatz mit Hochentleerung
Sweep suction attachment with can emptying



Kehr-Saugvorsatz
Sweep suction attachment

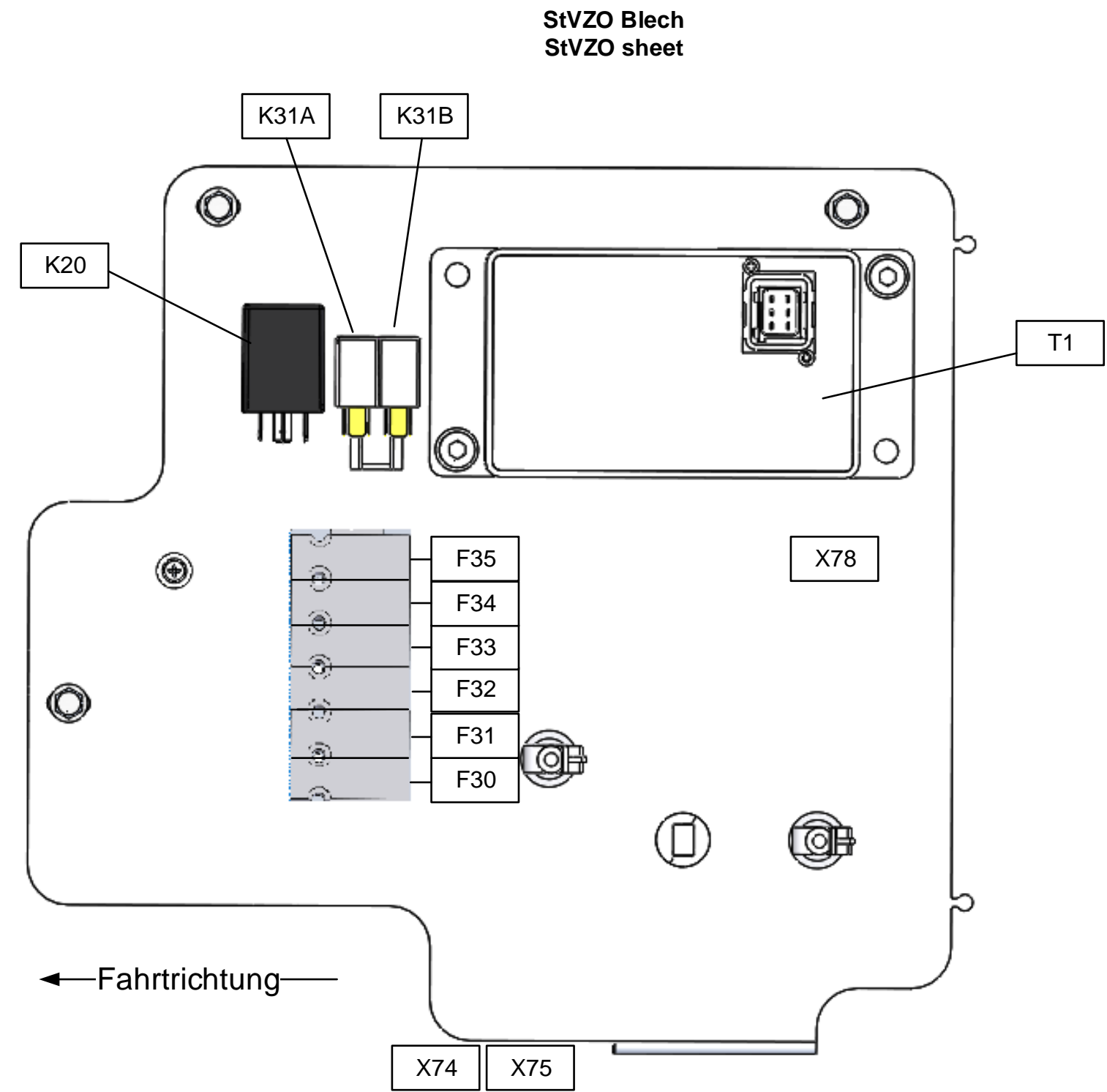
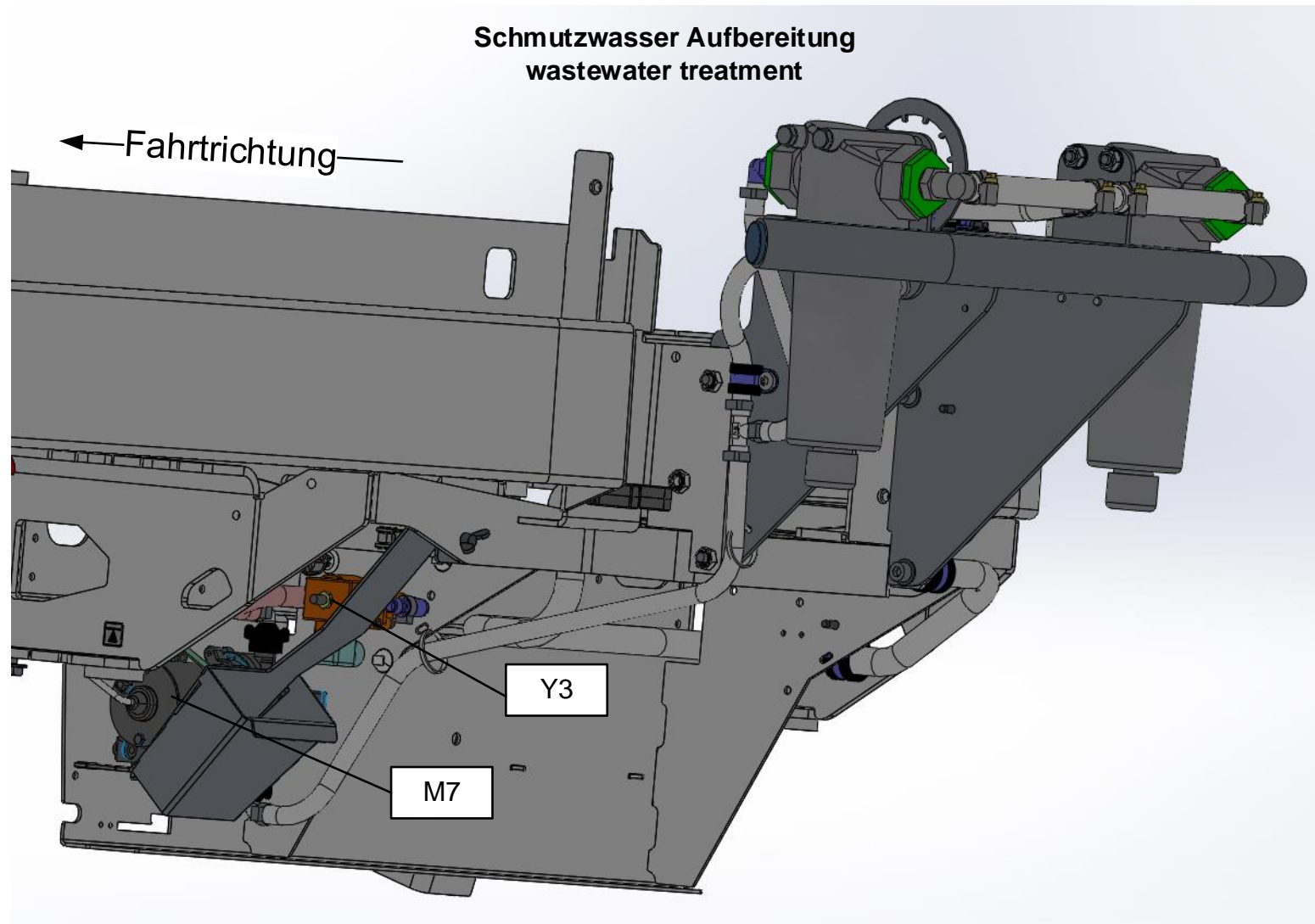



3

Kabelbäume:

W1: 97153803	W60: 97171110	W79: 97162846
W3: 97175889	W61: 97155006	W81: 97175806
W4: 97161780	W64: 97160808	WS2: 97153811
W5: 97154918	W65: 97155337	WS3: 97168744
W10: 97155246	W66: 97154231	WS4: 97154082
W18: 97155311	W68: 97154934	WS6: 97145916
W19: 97155329	W72: 97162796	WS9: 97153837
W28: 97155238	W74: 97163257	WS19: 97155022
W29: 97145791	W75: 97163331	WS68: 97160907
W30: 97162697	W76: 97164495	
W58: 97160253	W77: 97164503	
W59: 97160261	W78: 97166573	

Freigabevermerk:		3	1 x	4315-77	05.07.2021	Ri	Date	Name	B400 R	Name	Schaltplan B400 R / circuit diagram B400 R		Drawing Number		A2	
		No.	Number appears	Change No.	Date	Name	Std.		3050-27	For this drawing we reserve all rights (acc. DIN ISO 16016)		Engineering Base 6.9.1	Type 7437	Dept. DS	No. of Sh. 27	Sheet 26
											 Hako GmbH D-23840 Bad Olsesloe		91040360			



Freigabevermerk:		3	*/*	4315-77	05.07.2021	Ri	Drawn	03.12.2020	Ri	B400 R	Name	Schaltplan B400 R / circuit diagram B400 R		 Hako GmbH D-23840 Bad Oldesloe		Drawing Number	A2
No.	Number appears	Change No.	Date	Name	Std.		Verified			Replacement for	For this drawing we reserve all rights (acc. DIN ISO 16016)		Engineering Base 6.9.1	Type 7437	Dept. DS	No. of Sh. 27	Sheet 27
										3050-27							